

SECTION **PG**

POWER SUPPLY, GROUND & CIRCUIT ELEMENTS

CONTENTS

BASIC INSPECTION	2	FUSE BLOCK - JUNCTION BOX (J/B)	66
BATTERY	2	Terminal Arrangement	66
How to Handle Battery	2	FUSE, FUSIBLE LINK AND RELAY BOX	67
Work Flow	3	Terminal Arrangement	67
INSPECTION AND ADJUSTMENT	4	IPDM E/R (INTELLIGENT POWER DISTRI-	
ADDITIONAL SERVICE WHEN REMOVING BATTERY NEGATIVE TERMINAL	4	BUTION MODULE ENGINE ROOM)	68
ADDITIONAL SERVICE WHEN REMOVING BATTERY NEGATIVE TERMINAL : Special Repair Requirement	4	Fuse, Connector and Terminal Arrangement	68
COMPONENT DIAGNOSIS	5	PRECAUTION	69
POWER SUPPLY ROUTING CIRCUIT	5	PRECAUTIONS	69
Wiring Diagram — Battery Power Supply —	5	Precaution for Supplemental Restraint System (SRS) "AIR BAG" and "SEAT BELT PRE-TENSIONER"	69
Wiring Diagram — Accessory Power Supply —	13	Precautions For High-Voltage System	69
Wiring Diagram — Ignition Power Supply —	16	PREPARATION	70
Fuse	24	PREPARATION	70
Fusible Link	24	Special Service Tool	70
GROUND	25	Commercial Service Tool	70
Ground Distribution	25	ON-VEHICLE REPAIR	71
HARNESS	34	BATTERY	71
Harness Layout	34	Removal and Installation	71
ELECTRICAL UNITS LOCATION	57	SERVICE DATA AND SPECIFICATIONS (SDS)	72
Electrical Units Location	57	BATTERY	72
HARNESS CONNECTOR	61	Battery	72
Description	61		
STANDARDIZED RELAY	64		
Description	64		

A
B
C
D
E
F
G
H
I
J
K
L
PG
N
O
P

BATTERY

< BASIC INSPECTION >

BASIC INSPECTION

BATTERY

How to Handle Battery

INFOID:000000005439148

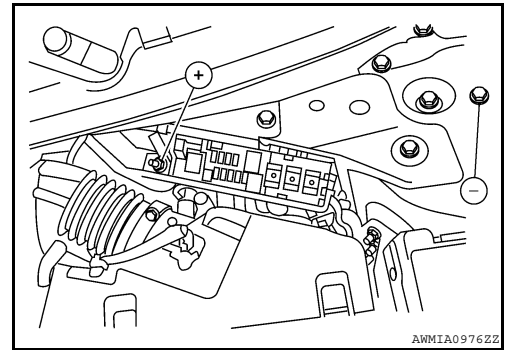
WARNING:

These vehicles contain **HIGH VOLTAGE SYSTEMS**. Service technicians must complete the "2007 Altima Hybrid New Technology Introduction" Service Training before they can service this vehicle.

JUMP-STARTING AN ALTIMA HYBRID WITH A DISCHARGED 12-VOLT BATTERY

CAUTION:

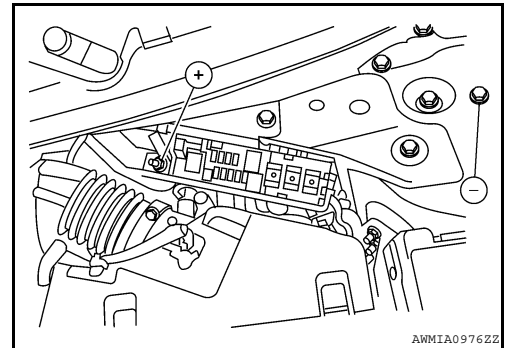
- If it becomes necessary to start the engine with a booster battery and jumper cables, use a 12-volt booster battery.
- Do not connect the jumper cables to the 12-volt battery located in the trunk. To jump-start the Altima Hybrid, use the positive stud and one of the strut mount insulator studs located in the LH rear of the engine compartment.



NOTE:

Follow all standard safety procedures for typical jump-start of a vehicle.

1. Remove the high voltage fuse and fusible link box cover.
2. Connect the positive (+) jumper cable to the positive stud inside the fuse box.
3. Connect the negative (-) jumper cable to one of the strut mount insulator studs.
4. Confirm the vehicle transmission is in the P (Park) position.
5. Depress the brake pedal and press the "Start Stop" button on the instrument panel.
6. Confirm the vehicle is in the READY mode. The word READY will illuminate green in the combination meter.
7. Disconnect the negative (-) jumper cable.
8. Disconnect the positive (+) jumper cable.



CHARGING AN ALTIMA HYBRID 12-VOLT BATTERY

CAUTION:

- Never "quick charge" the Altima Hybrid 12-volt battery. Use only a trickle charge method.
 - Do not attempt to charge the Altima Hybrid 12-volt battery using the positive stud and strut mount insulator stud as described in the Jump-Starting section of this manual.
 - Do not attempt to charge the Altima Hybrid 12-volt battery through the RH inner trunk access panel. The RH trunk side finisher **MUST BE REMOVED** prior to charging.
 - When connecting the charger, connect the leads first, then turn on the charger. Never turn on the charger first, as this may cause a spark.
1. Remove the trunk side finisher (RH). Refer to [INT-30. "Removal and Installation"](#).
 2. Confirm the trunk lid is completely open.
 3. Confirm all vehicle doors are closed.
 4. Disconnect the negative (-) battery cable from the 12-volt battery.
 5. Connect the positive (+) charging cable to the positive battery terminal.
 6. Connect the negative (-) charging cable to the negative battery terminal.
 7. Trickle charge the battery at a low setting (less than 5 amps).

NOTE:

BATTERY

< BASIC INSPECTION >

A fully charged Altima Hybrid 12-volt battery should read between 12.6 to 12.8 volts.

8. Disconnect the negative (-) charging cable.
9. Disconnect the positive (+) charging cable.
10. Reconnect the negative (-) battery cable to the 12-volt battery.
11. Reinstall the trunk side finisher (RH).

Work Flow

INFOID:000000005439149

TROUBLE DIAGNOSIS - ALTIMA HYBRID 12-VOLT BATTERY

For battery testing refer to Technical Service Bulletin.

A
B
C
D
E
F
G
H
I
J
K
L
N
O
P

PG

INSPECTION AND ADJUSTMENT

< BASIC INSPECTION >

INSPECTION AND ADJUSTMENT

ADDITIONAL SERVICE WHEN REMOVING BATTERY NEGATIVE TERMINAL

ADDITIONAL SERVICE WHEN REMOVING BATTERY NEGATIVE TERMINAL : Special Repair Requirement

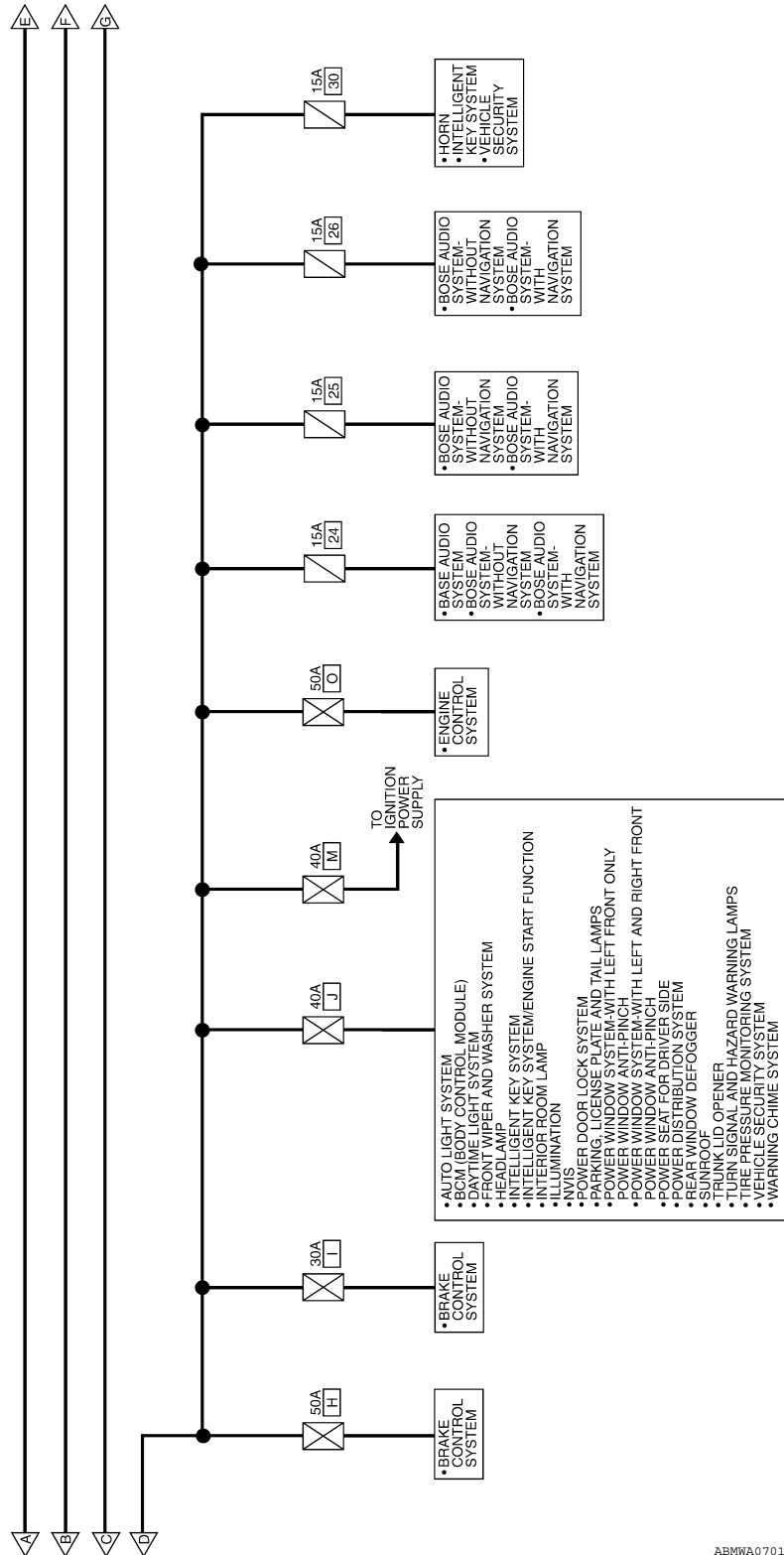
INFOID:000000005439150

Required Procedure After Battery Disconnection

System	Item	Reference
Engine Control	Idle Air Volume Learning	Refer to EC-16 .
Brake Control	Steering Angle Sensor Neutral Position	Refer to BRC-9 .
Glass, Window & Mirrors	Power Window System Initialization	LH only anti-pinch, refer to PWC-9 . LH & RH front anti-pinch, refer to PWC-92 .
Roof	Sunroof Memory Reset/Initialization	Refer to RF-6 .
Automatic Temperature Control	Temperature Setting Trimmer	Refer to HAC-5 .
	Foot Position Setting Trimmer	Refer to HAC-5 .
	Inlet Port Memory Function	Refer to HAC-5 .
Audio-Visual System	Audio (Radio Preset)	Refer to Owner's Manual.
	NAVI	Refer to Owner's Manual.
	Rear View Monitor Guiding Line Adjustment	Refer to AV-163 . " ADDITIONAL SERVICE WHEN REPLACING CONTROL UNIT : Description ".

POWER SUPPLY ROUTING CIRCUIT

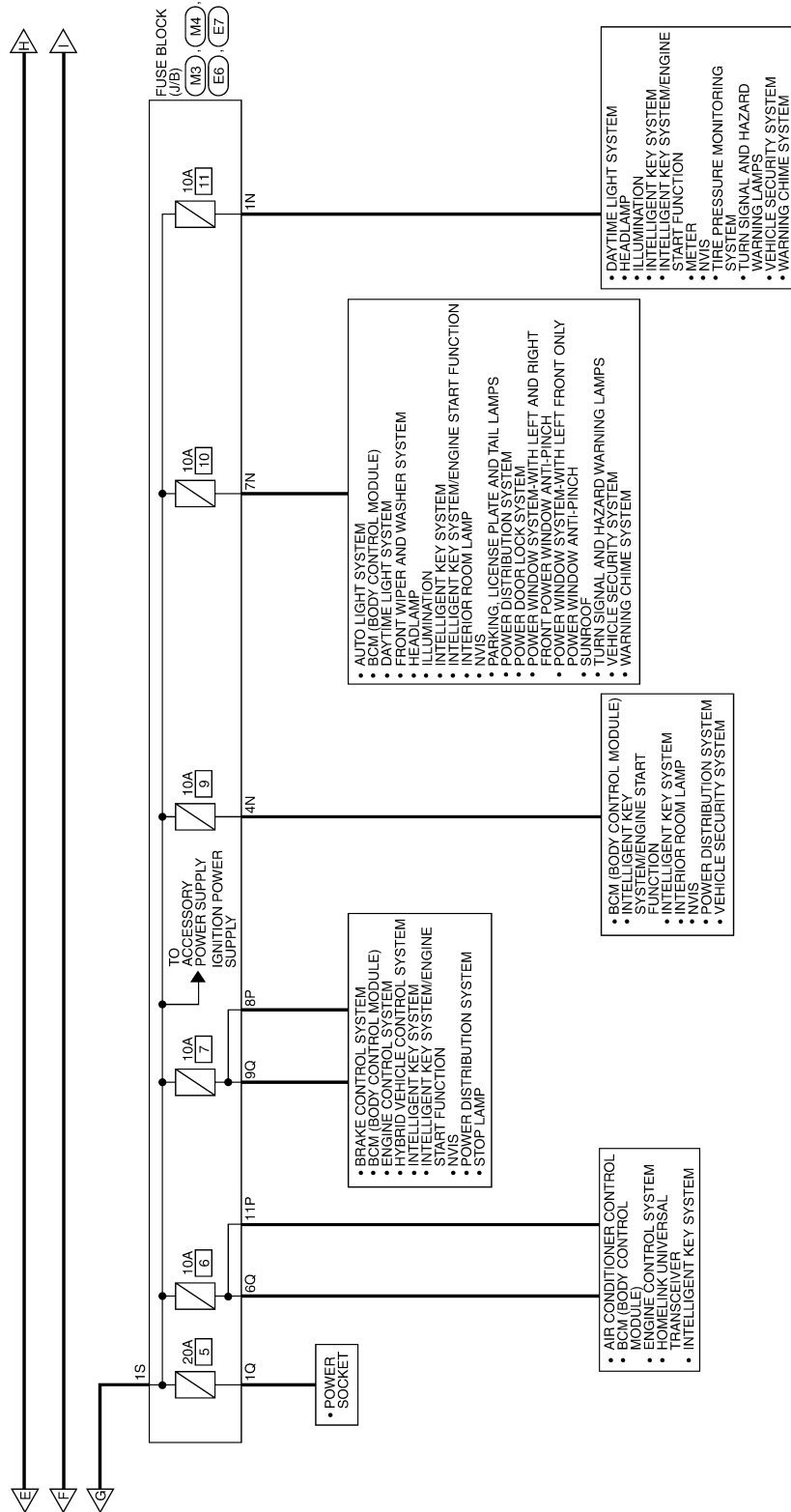
< COMPONENT DIAGNOSIS >



ABMWA0701GB

POWER SUPPLY ROUTING CIRCUIT

< COMPONENT DIAGNOSIS >

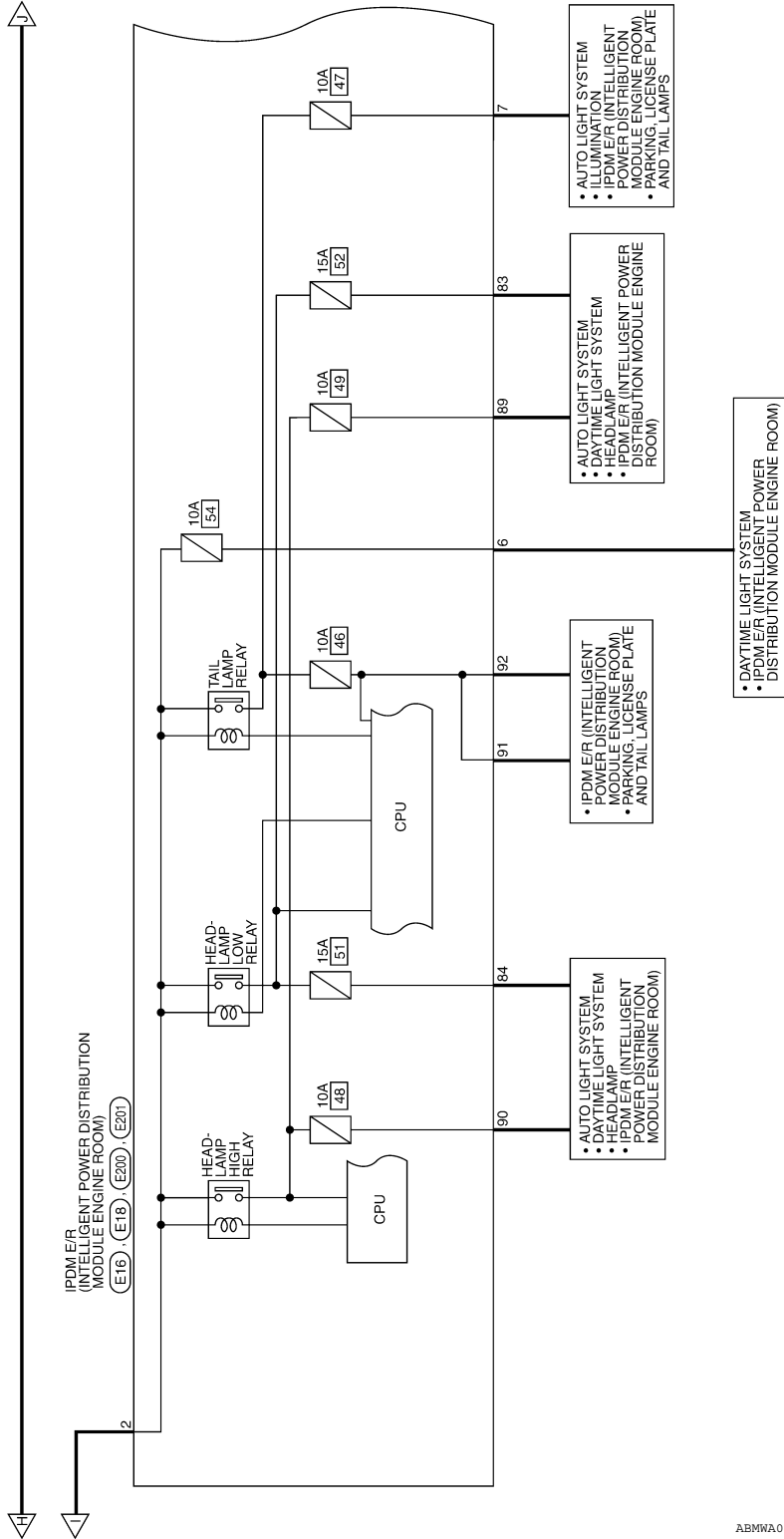


ABMWA0702GB

A
B
C
D
E
F
G
H
I
J
K
L
PG
N
O
P

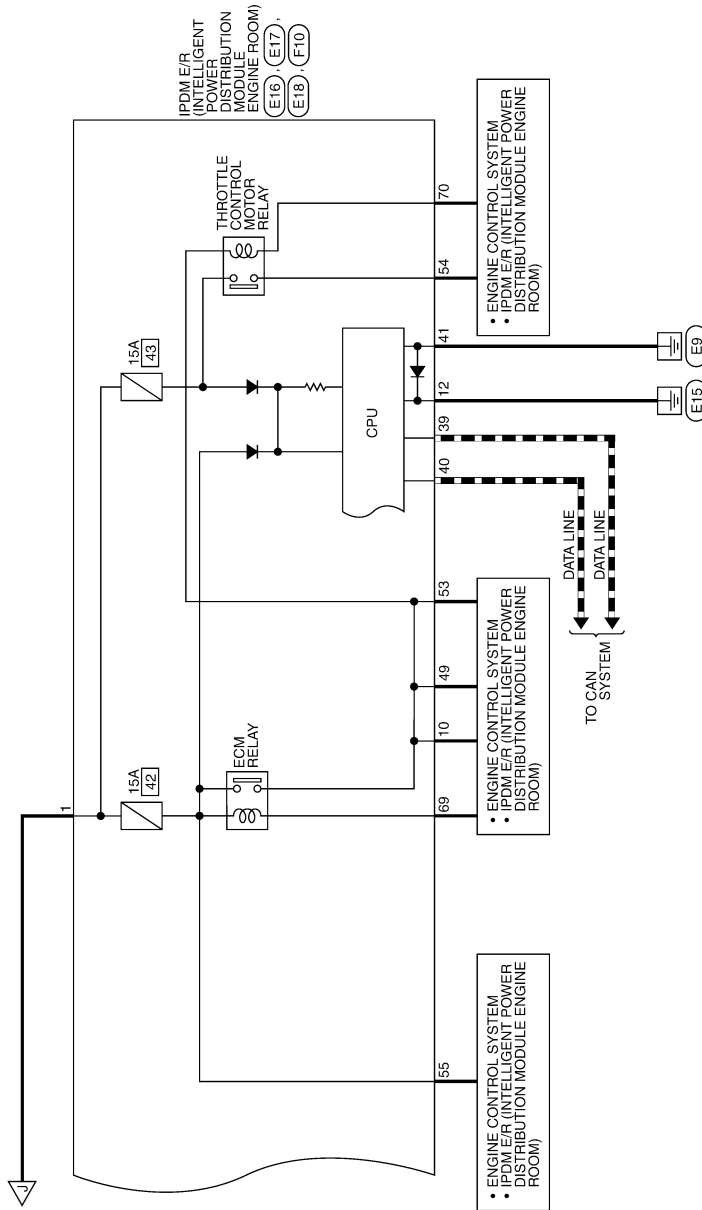
POWER SUPPLY ROUTING CIRCUIT

< COMPONENT DIAGNOSIS >



POWER SUPPLY ROUTING CIRCUIT

< COMPONENT DIAGNOSIS >



A
B
C
D
E
F
G
H
I
J
K
L
PG
N
O
P

ABMWA0704GB

POWER SUPPLY ROUTING CIRCUIT

< COMPONENT DIAGNOSIS >

BATTERY POWER SUPPLY CONNECTORS

Connector No.	E6
Connector Name	FUSE BLOCK (J/B)
Connector Color	WHITE



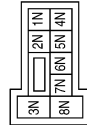
Terminal No.	Color of Wire	Signal Name
8P	R	-
11P	G	-

Connector No.	M4
Connector Name	FUSE BLOCK (J/B)
Connector Color	WHITE



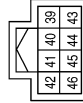
Terminal No.	Color of Wire	Signal Name
1Q	R/W	-
6Q	Y/R	-
9Q	R/W	-

Connector No.	M3
Connector Name	FUSE BLOCK (J/B)
Connector Color	WHITE



Terminal No.	Color of Wire	Signal Name
1N	W/L	-
4N	G/Y	-
7N	Y/R	-

Connector No.	E17
Connector Name	IPDM E/R (INTELLIGENT POWER DISTRIBUTION MODULE ENGINE ROOM)
Connector Color	WHITE



Terminal No.	Color of Wire	Signal Name
39	P	CAN-L
40	L	CAN-H
41	B	GND (SIGNAL)

Connector No.	E16
Connector Name	IPDM E/R (INTELLIGENT POWER DISTRIBUTION MODULE ENGINE ROOM)
Connector Color	BLACK



Terminal No.	Color of Wire	Signal Name
1	R	F/L_MAIN
2	L	F/L_USM

Connector No.	E7
Connector Name	FUSE BLOCK (J/B)
Connector Color	WHITE



Terminal No.	Color of Wire	Signal Name
1S	W	-

ABM1A1851GB

POWER SUPPLY ROUTING CIRCUIT

< COMPONENT DIAGNOSIS >

Connector No.	E200
Connector Name	IPDM E/R (INTELLIGENT POWER DISTRIBUTION MODULE ENGINE ROOM)
Connector Color	WHITE



85	84	83
90	89	88
87	86	

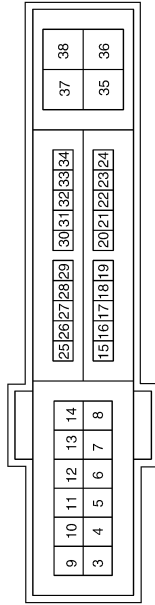
Terminal No.	Color of Wire	Signal Name
83	R/Y	HEAD LAMP LO RH
84	L	HEAD LAMP LO LH
89	LW	HEAD LAMP HI RH
90	G	HEAD LAMP HI LH

Connector No.	E31
Connector Name	FUSIBLE LINK BOX (BATTERY)
Connector Color	-



Terminal No.	Color of Wire	Signal Name
1	W/B	-

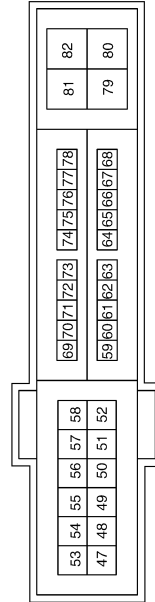
Connector No.	E18
Connector Name	IPDM E/R (INTELLIGENT POWER DISTRIBUTION MODULE ENGINE ROOM)
Connector Color	WHITE



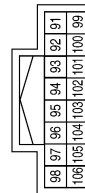
Terminal No.	Color of Wire	Signal Name
6	SB	DTRL
7	GR	TAIL/ILLUMI
10	BR	ECM_VB
12	B	GND (POWER)

Terminal No.	Color of Wire	Signal Name
49	V	ENG_SOL
53	V	IGN_COIL
54	GR	ETC
55	LG	ECM_BAT
69	SB	SSOFF
70	G	MOTRLY

Connector No.	F10
Connector Name	IPDM E/R (INTELLIGENT POWER DISTRIBUTION MODULE ENGINE ROOM)
Connector Color	WHITE



Connector No.	E201
Connector Name	IPDM E/R (INTELLIGENT POWER DISTRIBUTION MODULE ENGINE ROOM)
Connector Color	WHITE



Terminal No.	Color of Wire	Signal Name
91	LG/R	CLEARANCE_RH
92	LG/B	CLEARANCE_LH

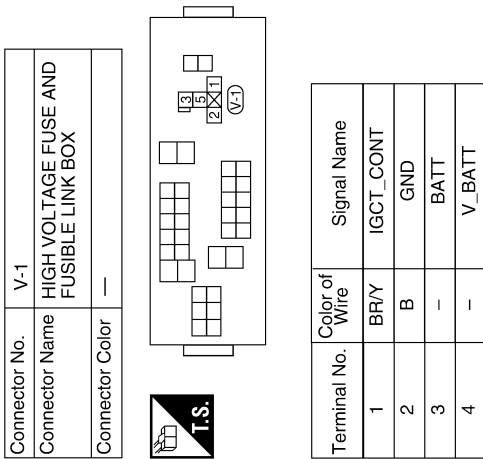
ABM1A1852GB

A
B
C
D
E
F
G
H
I
J
K
L
M
N
O
P

PG

POWER SUPPLY ROUTING CIRCUIT

< COMPONENT DIAGNOSIS >



ABMIA0569GB

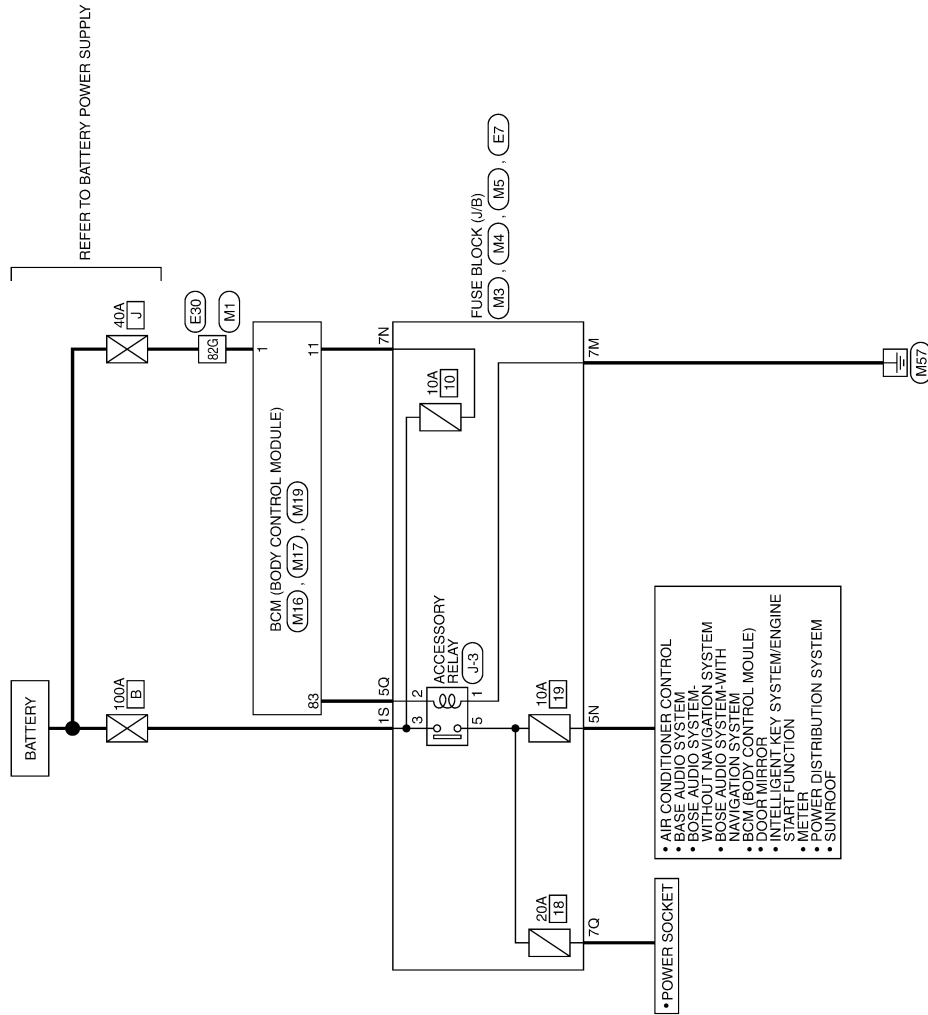
POWER SUPPLY ROUTING CIRCUIT

< COMPONENT DIAGNOSIS >

Wiring Diagram —Accessory Power Supply—

INFOID:000000005439152

ACCESSORY POWER SUPPLY



A
B
C
D
E
F
G
H
I
J
K
L
PG
N
O
P

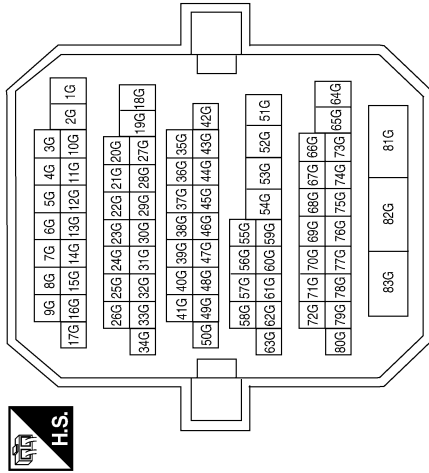
ABMWA0708GB

POWER SUPPLY ROUTING CIRCUIT

< COMPONENT DIAGNOSIS >

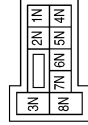
ACCESSORY POWER SUPPLY CONNECTORS

Connector No.	M1
Connector Name	WIRE TO WIRE
Connector Color	WHITE



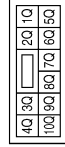
Terminal No.	Color of Wire	Signal Name
82G	W/B	-

Connector No.	M3
Connector Name	FUSE BLOCK (J/B)
Connector Color	WHITE



Terminal No.	Color of Wire	Signal Name
5N	V/Y	-
7N	Y/R	-

Connector No.	M4
Connector Name	FUSE BLOCK (J/B)
Connector Color	WHITE



Terminal No.	Color of Wire	Signal Name
5Q	L	-
7Q	R/B	-

Connector No.	M5
Connector Name	FUSE BLOCK (J/B)
Connector Color	WHITE



Terminal No.	Color of Wire	Signal Name
7M	B	-

Connector No.	M16
Connector Name	BCM (BODY CONTROL MODULE)
Connector Color	BLACK



Terminal No.	Color of Wire	Signal Name
1	W/B	BAT_POWER_F/L

Connector No.	M17
Connector Name	BCM (BODY CONTROL MODULE)
Connector Color	WHITE

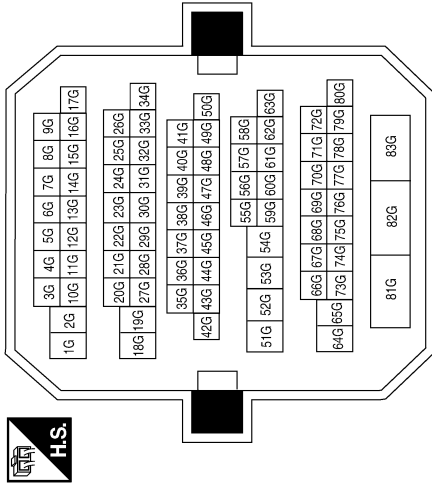


Terminal No.	Color of Wire	Signal Name
11	Y/R	BAT_BCM_FUSE

POWER SUPPLY ROUTING CIRCUIT

< COMPONENT DIAGNOSIS >

Connector No.	E30
Connector Name	WIRE TO WIRE
Connector Color	WHITE



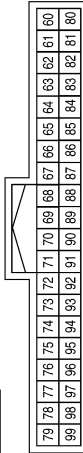
Terminal No.	82G	Color of Wire	LG	Signal Name	-
--------------	-----	---------------	----	-------------	---

Connector No.	E7
Connector Name	FUSE BLOCK (J/B)
Connector Color	WHITE



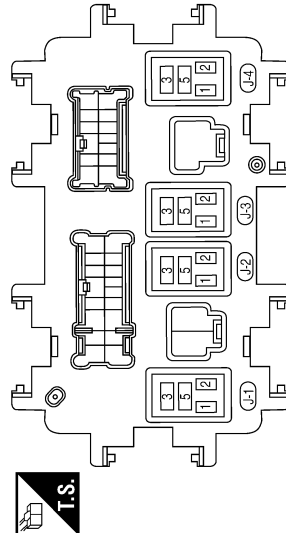
Terminal No.	1S	Color of Wire	W	Signal Name	-
--------------	----	---------------	---	-------------	---

Connector No.	M19
Connector Name	BCM (BODY CONTROL MODULE)
Connector Color	BLACK



Terminal No.	83	Color of Wire	L	Signal Name	ACC. CONT
--------------	----	---------------	---	-------------	-----------

Connector No.	J-3
Connector Name	FUSE BLOCK (J/B) (ACCESSORY RELAY)
Connector Color	-



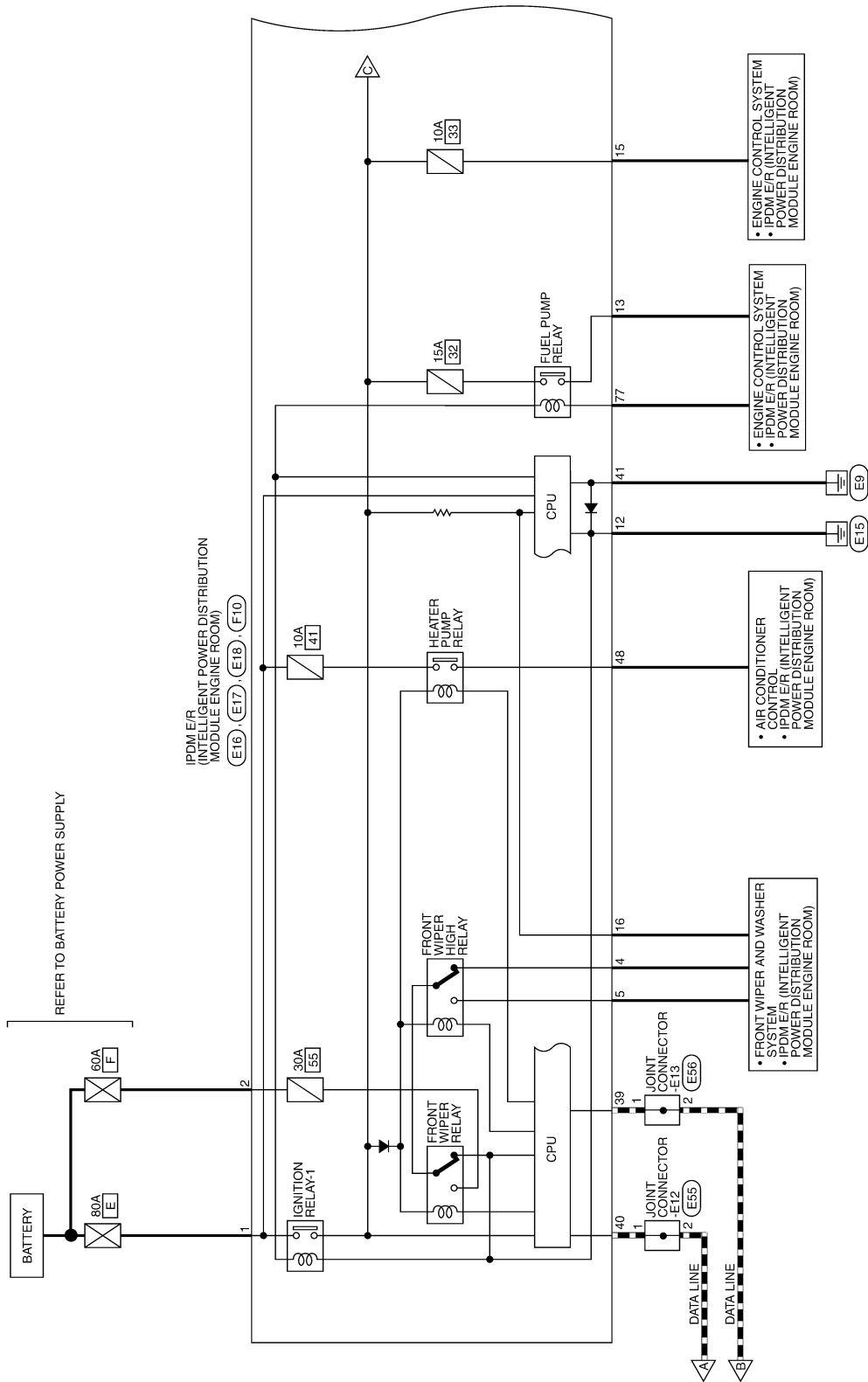
ABMIA1857GB

A
B
C
D
E
F
G
H
I
J
K
L
N
O
P

PG

POWER SUPPLY ROUTING CIRCUIT

< COMPONENT DIAGNOSIS >



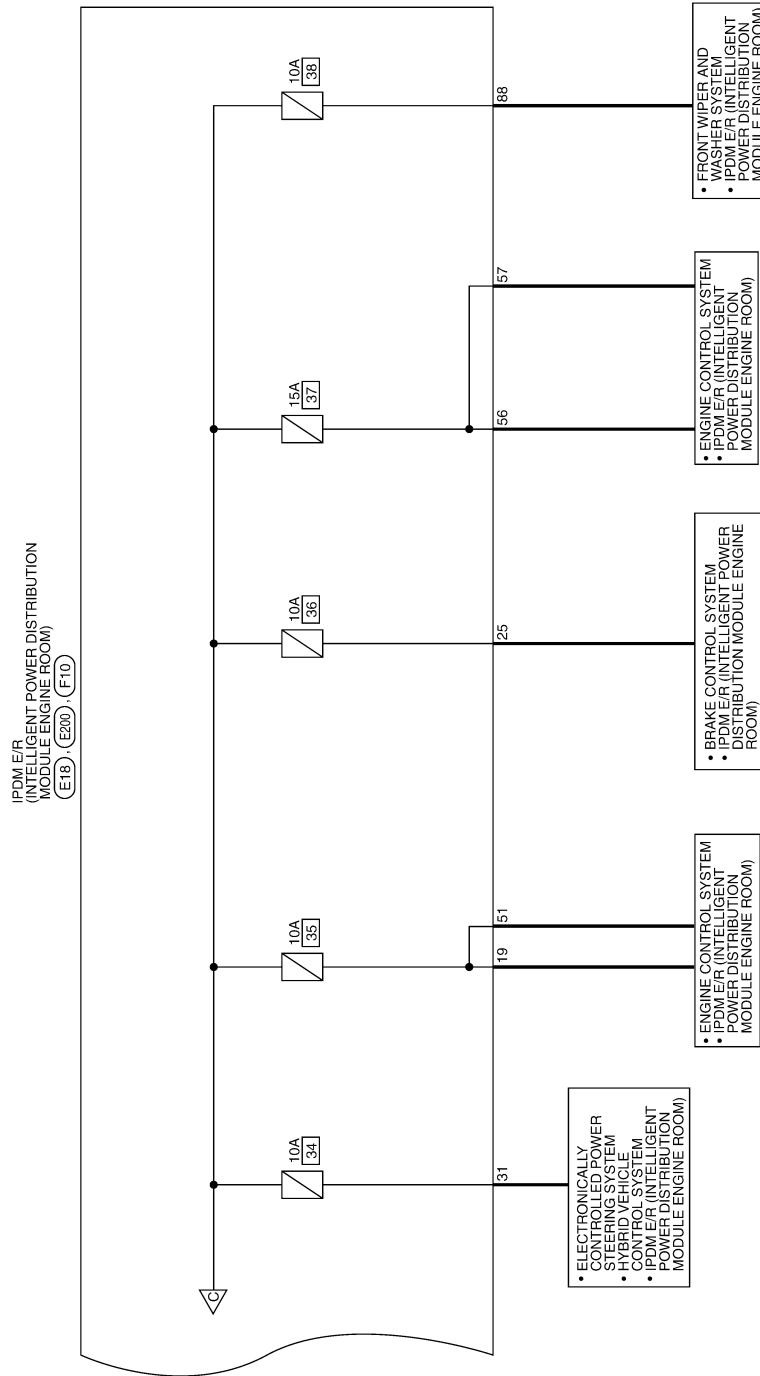
ABMWA0706GB

A
B
C
D
E
F
G
H
I
J
K
L
N
O
P

PG

POWER SUPPLY ROUTING CIRCUIT

< COMPONENT DIAGNOSIS >



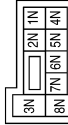
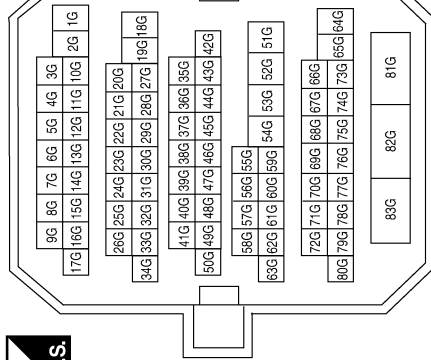
ABMWA0707GB

POWER SUPPLY ROUTING CIRCUIT

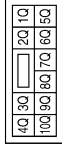
< COMPONENT DIAGNOSIS >

IGNITION POWER SUPPLY CONNECTORS

Connector No.	M1
Connector Name	WIRE TO WIRE
Connector Color	WHITE



Connector No.	M3
Connector Name	FUSE BLOCK (J/B)
Connector Color	WHITE



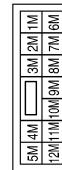
Connector No.	M4
Connector Name	FUSE BLOCK (J/B)
Connector Color	WHITE

Terminal No.	Color of Wire	Signal Name
23G	Y	-
82G	W/B	-

Terminal No.	Color of Wire	Signal Name
2N	G	-
3N	W/L	-
8N	W/L	-

Terminal No.	Color of Wire	Signal Name
4Q	G/R	-

Connector No.	M5
Connector Name	FUSE BLOCK (J/B)
Connector Color	WHITE



Terminal No.	Color of Wire	Signal Name
6M	R/B	-
7M	B	-
8M	G/R	-
9M	GR	-
10M	L/Y	-
11M	R/L	-
12M	O	-

Connector No.	M16
Connector Name	BCM (BODY CONTROL MODULE)
Connector Color	BLACK



Terminal No.	Color of Wire	Signal Name
1	W/B	BAT_POWER_F/L


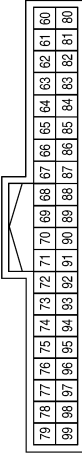
ABMIA0572GB

A
B
C
D
E
F
G
H
I
J
K
L
M
N
O
P

POWER SUPPLY ROUTING CIRCUIT

< COMPONENT DIAGNOSIS >


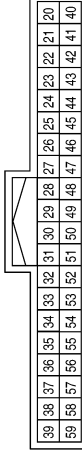
Connector No.	M19
Connector Name	BCM (BODY CONTROL MODULE)
Connector Color	BLACK

79	78	77	76	75	74	73	72	71	70	69	68	67	66	65	64	63	62	61	60
99	98	97	96	95	94	93	92	91	90	89	88	87	86	85	84	83	82	81	80

Terminal No.	Color of Wire	Signal Name
70	R/B	IGN_ELEC_CONT
78	P	CAN-L
79	L	CAN-H
90	Y	IGN2_CONT


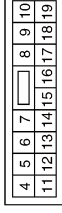
Connector No.	M18
Connector Name	BCM (BODY CONTROL MODULE)
Connector Color	GREEN

39	38	37	36	35	34	33	32	31	30	29	28	27	26	25	24	23	22	21	20
59	58	57	56	55	54	53	52	51	50	49	48	47	46	45	44	43	42	41	40


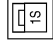
Terminal No.	Color of Wire	Signal Name
59	G/R	REAR_DEFOGGER_RLY

Connector No.	M17
Connector Name	BCM (BODY CONTROL MODULE)
Connector Color	WHITE



Terminal No.	Color of Wire	Signal Name
13	B	GND1

Connector No.	E7
Connector Name	FUSE BLOCK (J/B)
Connector Color	WHITE


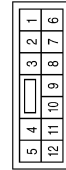
Terminal No.	Color of Wire	Signal Name
1S	W	-

Connector No.	E6
Connector Name	FUSE BLOCK (J/B)
Connector Color	WHITE

Terminal No.	Color of Wire	Signal Name
4P	Y	-
6P	Y	-

Connector No.	M89
Connector Name	WIRE TO WIRE
Connector Color	WHITE

Terminal No.	Color of Wire	Signal Name
7	L	-
8	P	-

ABM1A1.853GB

POWER SUPPLY ROUTING CIRCUIT

< COMPONENT DIAGNOSIS >

Connector No.	E8
Connector Name	FUSE BLOCK (J/B)
Connector Color	BLACK



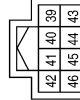
Terminal No.	Color of Wire	Signal Name
1R	G	-

Connector No.	E16
Connector Name	IPDM E/R (INTELLIGENT POWER DISTRIBUTION MODULE ENGINE ROOM)
Connector Color	BLACK



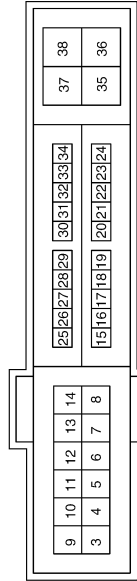
Terminal No.	Color of Wire	Signal Name
1	R	F/L MAIN
2	L	F/L USM

Connector No.	E17
Connector Name	IPDM E/R (INTELLIGENT POWER DISTRIBUTION MODULE ENGINE ROOM)
Connector Color	WHITE



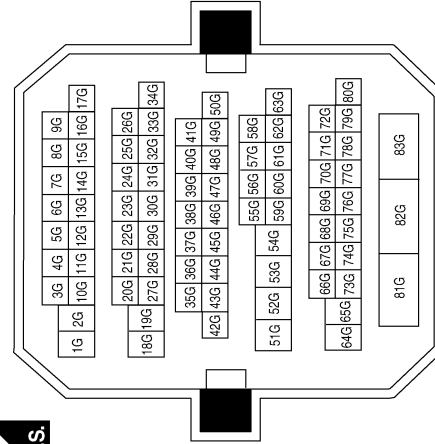
Terminal No.	Color of Wire	Signal Name
39	P	CAN-L
40	L	CAN-H
41	B	GND (SIGNAL)

Connector No.	E18
Connector Name	IPDM E/R (INTELLIGENT POWER DISTRIBUTION MODULE ENGINE ROOM)
Connector Color	WHITE



Terminal No.	Color of Wire	Signal Name
4	LG	FR_WIPER_LO
5	Y	FR_WIPER_HI
12	B	GND (POWER)
13	SB	FUEL_PUMP
15	V	START_IG-E/R
16	L/Y	WIPER_AUTO_STOP
19	Y	BCM_IGN_SW
25	R	ABS_ECU
31	B	REC_RLY

Connector No.	E30
Connector Name	WIRE TO WIRE
Connector Color	WHITE



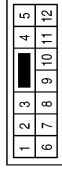
ABMIA1854GB

A
B
C
D
E
F
G
H
I
J
K
L
M
N
O
P

POWER SUPPLY ROUTING CIRCUIT

< COMPONENT DIAGNOSIS >

Connector No.	E64
Connector Name	WIRE TO WIRE
Connector Color	WHITE



Terminal No.	Color of Wire	Signal Name
7	L	-
8	P	-

Connector No.	E56
Connector Name	JOINT CONNECTOR-E13
Connector Color	WHITE



Terminal No.	Color of Wire	Signal Name
1	P	-
2	P	-
3	P	-

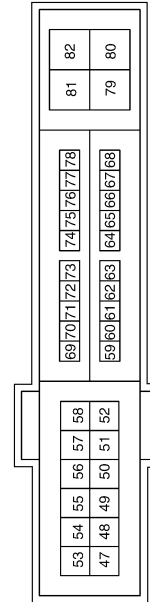
Connector No.	E55
Connector Name	JOINT CONNECTOR-E12
Connector Color	WHITE



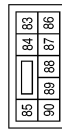
Terminal No.	Color of Wire	Signal Name
1	L	-
2	L	-
3	L	-

Terminal No.	Color of Wire	Signal Name
48	R	A/C_COMP
51	SB	INJECTOR #1
56	R	O2 SENS #1
57	O	O2 SENS #2
77	GR	FPR

Connector No.	F10
Connector Name	IPDM E/R (INTELLIGENT POWER DISTRIBUTION MODULE ENGINE ROOM)
Connector Color	WHITE



Connector No.	E200
Connector Name	IPDM E/R (INTELLIGENT POWER DISTRIBUTION MODULE ENGINE ROOM)
Connector Color	WHITE



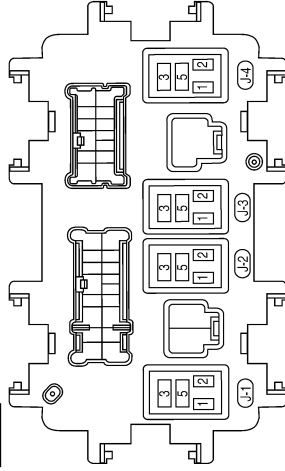
Terminal No.	Color of Wire	Signal Name
88	R/W	WASHER_MTR

ABM1A1.855GB

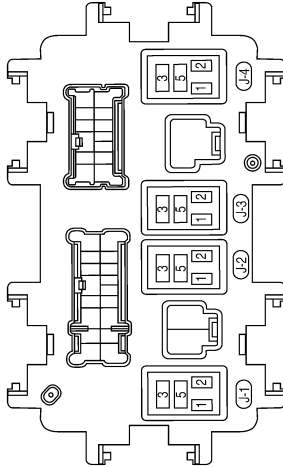
POWER SUPPLY ROUTING CIRCUIT

< COMPONENT DIAGNOSIS >

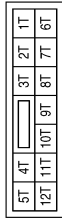
Connector No.	J-2
Connector Name	FUSE BLOCK (J/B) (REAR WINDOW DEFOGGER RELAY)
Connector Color	-



Connector No.	J-1
Connector Name	FUSE BLOCK (J/B) (IGNITION RELAY-2)
Connector Color	-

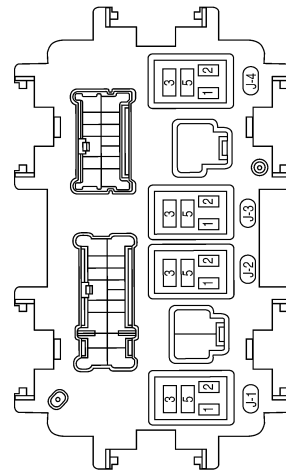


Connector No.	B4
Connector Name	FUSE BLOCK (J/B)
Connector Color	BROWN



Terminal No.	Color of Wire	Signal Name
10T	Y	-
11T	Y	-

Connector No.	J-4
Connector Name	FUSE BLOCK (J/B) (FRONT BLOWER MOTOR RELAY)
Connector Color	-



ABMIA1856GB

A
B
C
D
E
F
G
H
I
J
K
L
N
O
P

PG

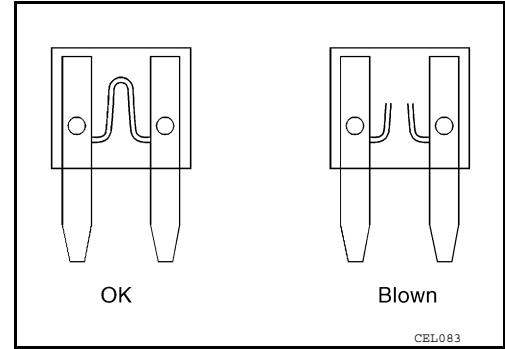
POWER SUPPLY ROUTING CIRCUIT

< COMPONENT DIAGNOSIS >

Fuse

INFOID:000000005439154

- If fuse is blown, be sure to eliminate cause of malfunction before installing new fuse.
- Use fuse of specified rating. Never use fuse of more than specified rating.
- Do not partially install fuse; always insert it into fuse holder properly.
- Remove fuse for "ELECTRICAL PARTS (BAT)" if vehicle is not used for a long period of time.



Fusible Link

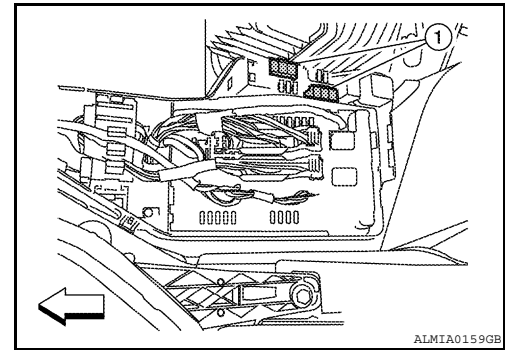
INFOID:000000005439155

A melted fusible link can be detected either by visual inspection or by feeling with finger tip. If its condition is questionable, use circuit tester or test lamp.

1 : Fusible link

CAUTION:

- If fusible link should melt, it is possible that critical circuit (power supply or large current carrying circuit) is shorted. In such a case, carefully check and eliminate cause of malfunction.
- Never wrap outside of fusible link with vinyl tape. Important: Never let fusible link touch any other wiring harness, vinyl or rubber parts.



GROUND

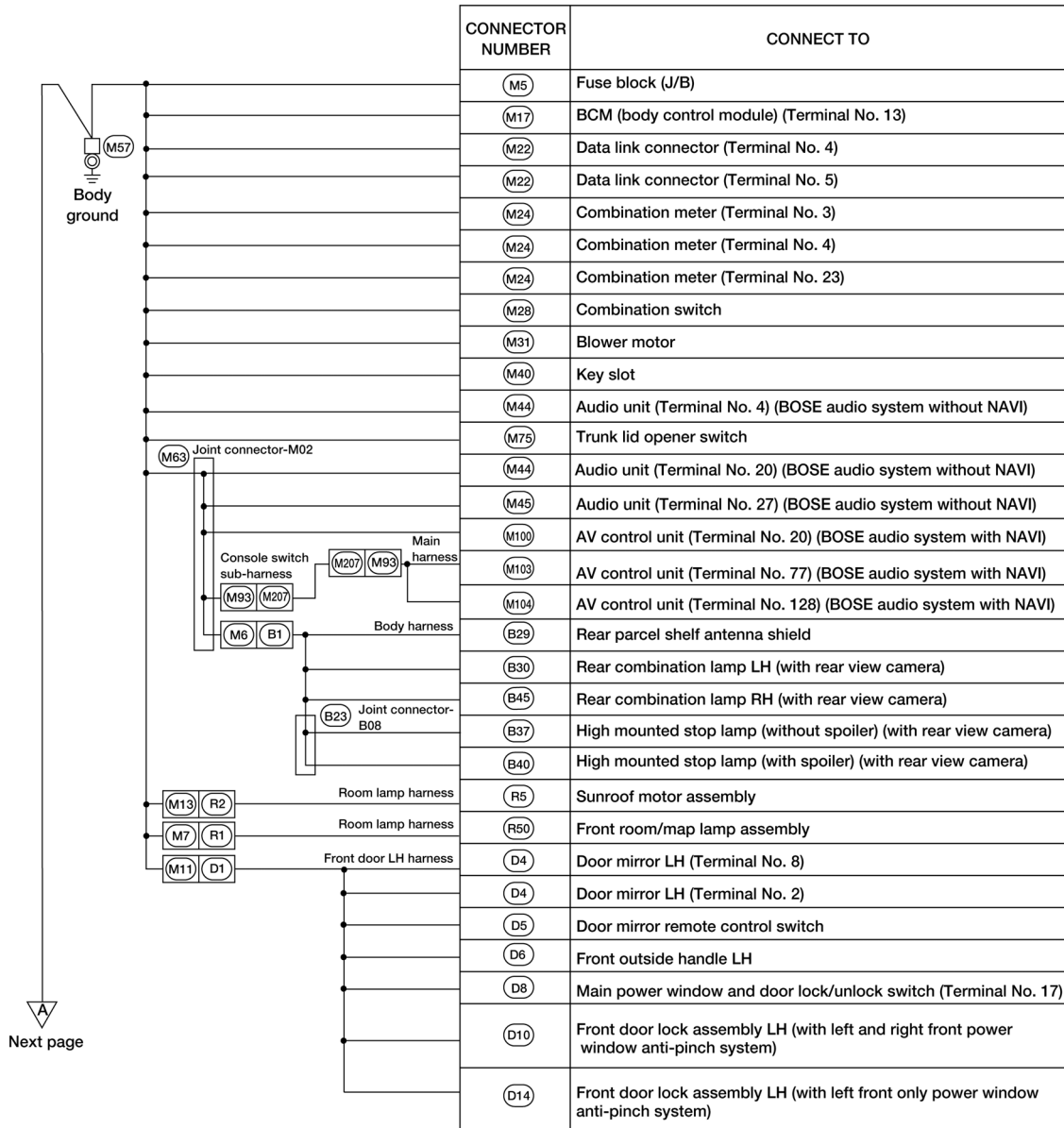
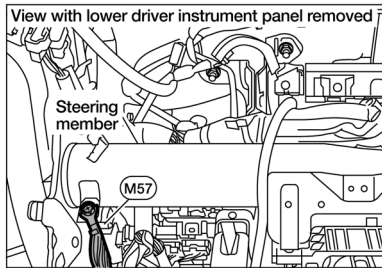
< COMPONENT DIAGNOSIS >

GROUND

Ground Distribution

INFOID:000000005439156

MAIN HARNESS



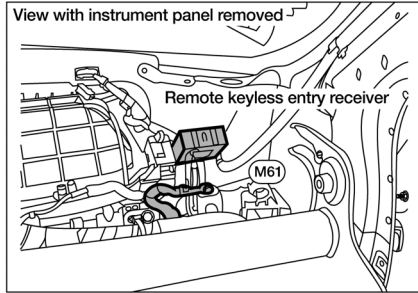
Next page

A
B
C
D
E
F
G
H
I
J
K
L
PG
N
O
P

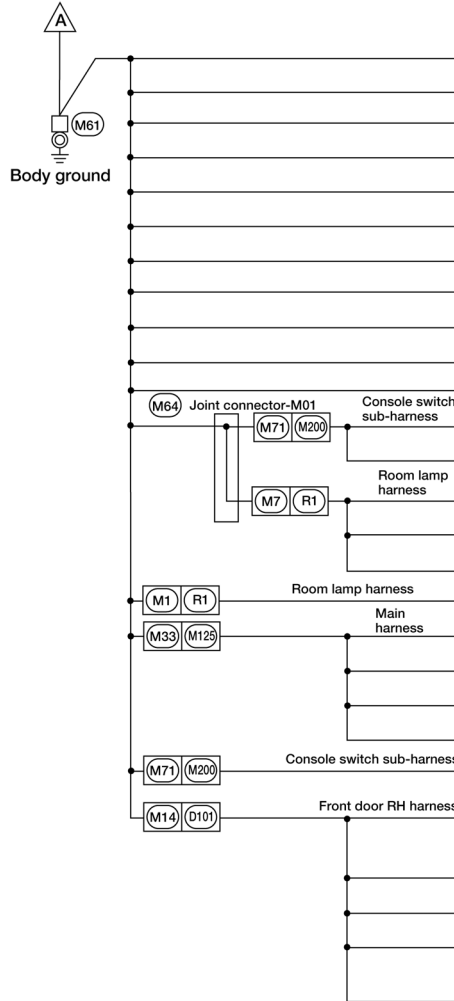
ABMIA1858GB

GROUND

< COMPONENT DIAGNOSIS >



Preceding page



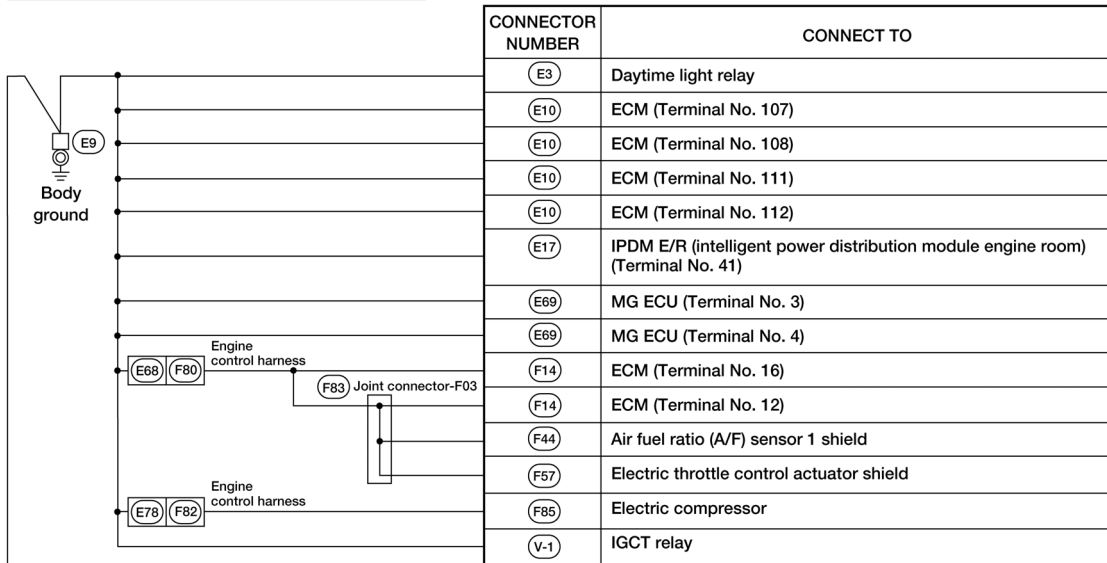
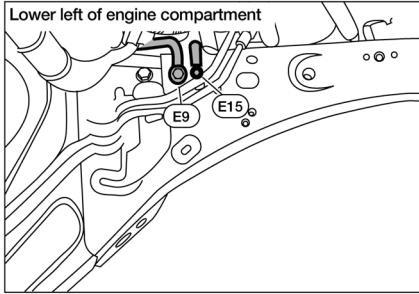
CONNECTOR NUMBER	CONNECT TO
M23	CVT shift selector
M35	Air bag diagnosis sensor unit (Terminal No. 2)
M36	Front passenger air bag off indicator
M37	Controller (auto amp.) (Terminal No. 17)
M37	Controller (auto amp.) (Terminal No. 37)
M38	Push-button ignition switch
M54	Hazard switch
M55	Yaw rate/side/decel G sensor
M68	Glove box lamp
M74	Trunk lid opener cancel switch
M76	Front power socket
M201	Front heated seat switch LH
M202	Front heated seat switch RH
R3	Vanity mirror lamp LH
R4	Auto anti-dazzling inside mirror
R9	Vanity mirror lamp RH
R7	Microphone shield
M126	Intake door motor
M127	Mode door motor
M128	Air mix door motor LH
M129	Air mix door motor RH
M209	Front console power socket
D105	Power window and door lock/unlock switch RH (Terminal No. 11) (with left and right front power window anti-pinch system)
D106	Front outside handle RH
D107	Door mirror RH (Terminal No. 8)
D107	Door mirror RH (Terminal No. 2)
D110	Power window and door lock/unlock switch RH (with left front only power window anti-pinch system)

ABM1A1.859GB

GROUND

< COMPONENT DIAGNOSIS >

ENGINE ROOM HARNESS



B
Next page

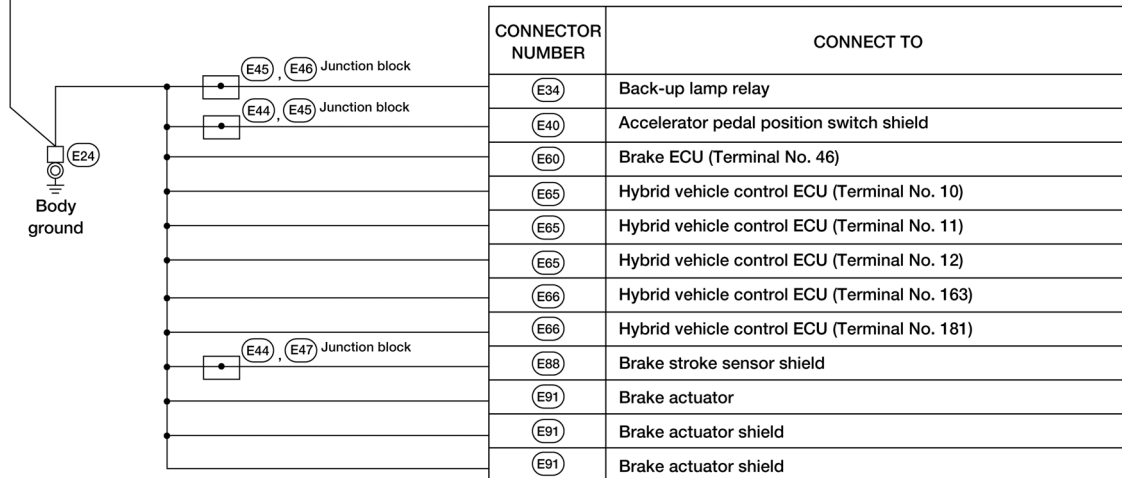
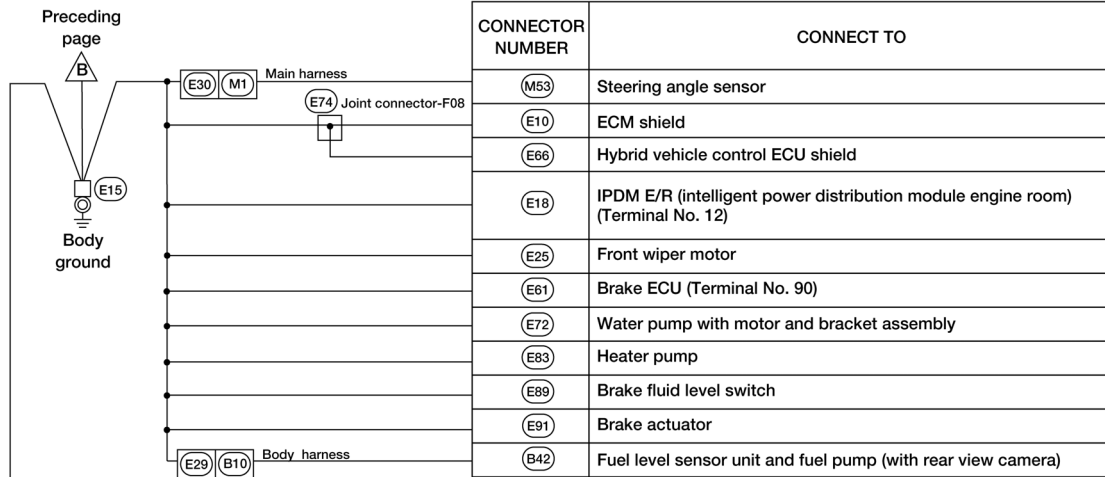
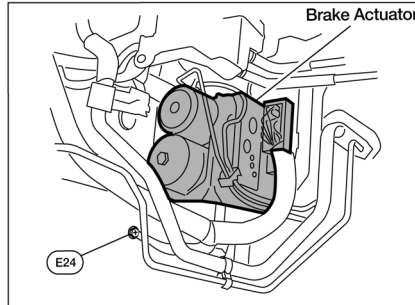
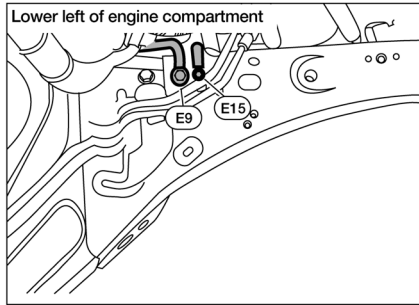
A
B
C
D
E
F
G
H
I
J
K
L
N
O
P

PG

ABMIA1860GB

GROUND

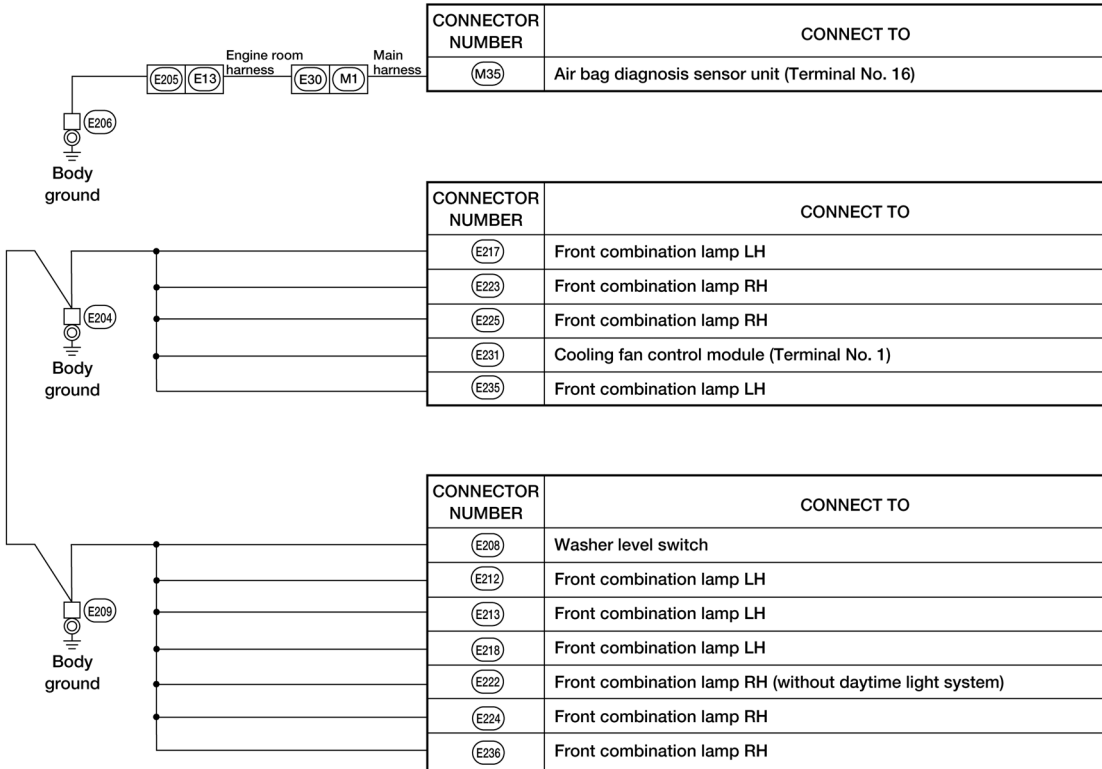
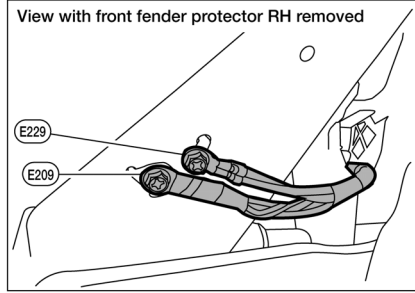
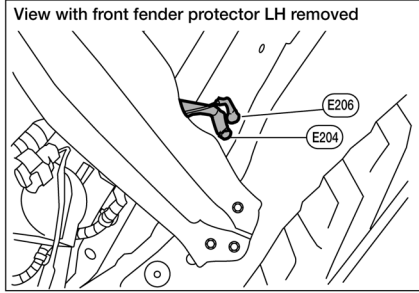
< COMPONENT DIAGNOSIS >



ABM1A1861GB

GROUND

< COMPONENT DIAGNOSIS > FRONT END MODULE HARNESS



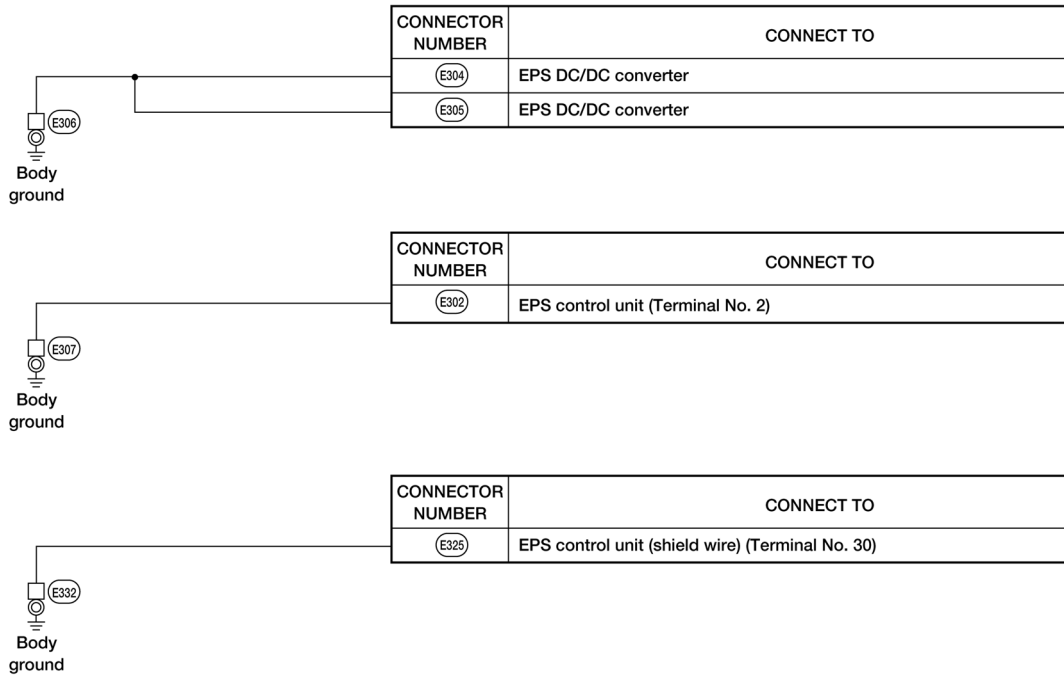
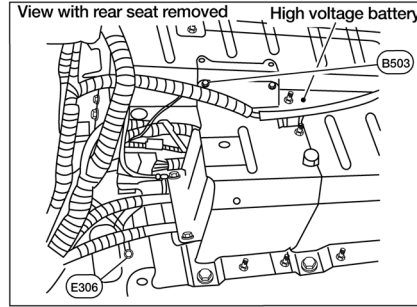
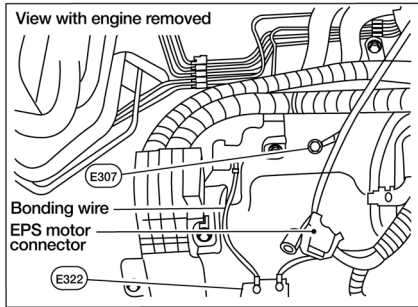
A
B
C
D
E
F
G
H
I
J
K
L
PG
N
O
P

ABM1A1862GB

GROUND

< COMPONENT DIAGNOSIS >

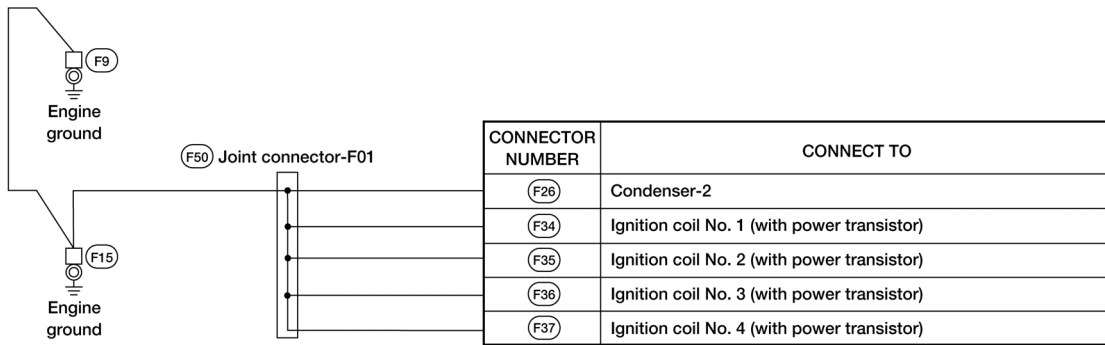
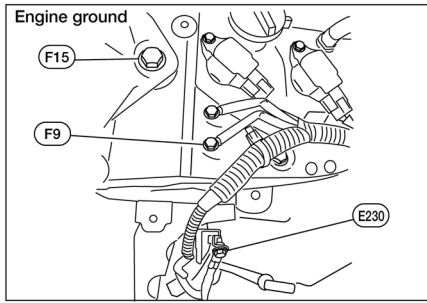
HIGH VOLTAGE HARNESS



ABMIA1863GB

GROUND

< COMPONENT DIAGNOSIS > ENGINE CONTROL HARNESS



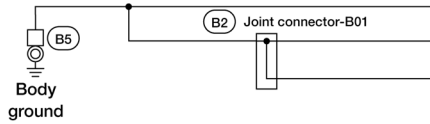
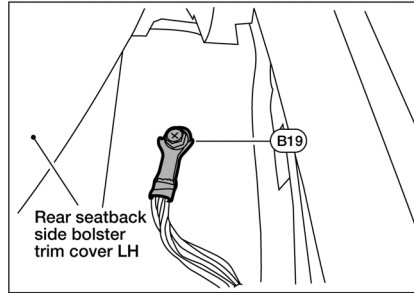
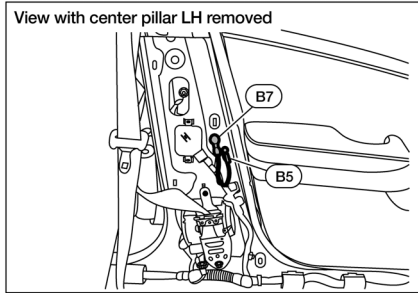
A
B
C
D
E
F
G
H
I
J
K
L
PG
N
O
P

ABMIA1864GB

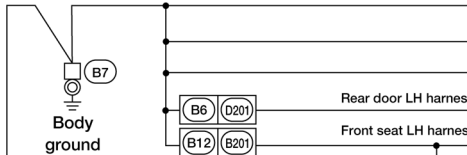
GROUND

< COMPONENT DIAGNOSIS >

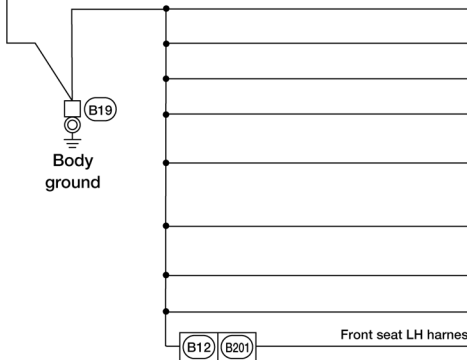
BODY HARNESS



CONNECTOR NUMBER	CONNECT TO
(B15)	LH side air bag (satellite) sensor shield
(B9)	Air bag diagnosis sensor unit (Terminal No. 44)
(B38)	LH side curtain air bag module shield



CONNECTOR NUMBER	CONNECT TO
(B28)	Trunk lamp switch and trunk release solenoid
(B32)	License plate lamp RH
(B34)	License plate lamp LH
(D203)	Rear power window switch LH
(B203)	Power seat switch
(B205)	Lumbar support switch
(B210)	Front seat heater LH



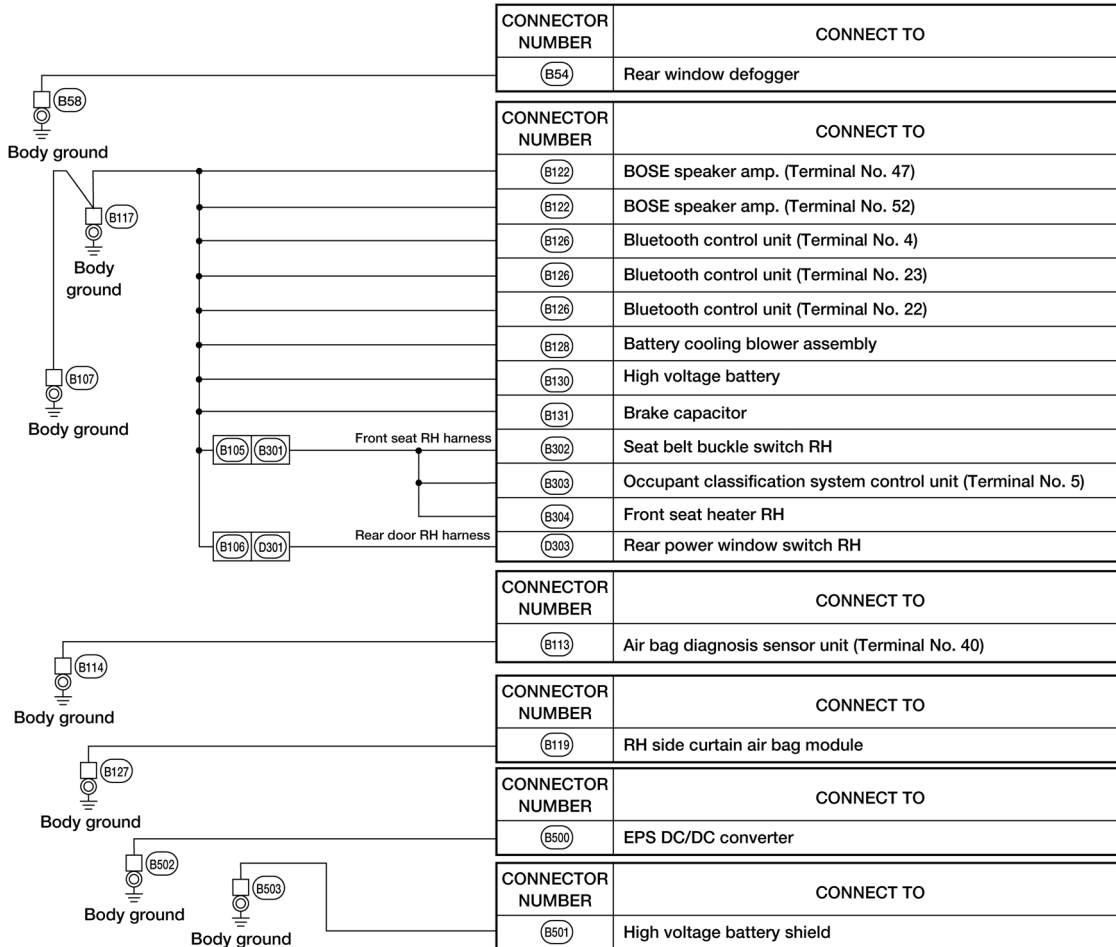
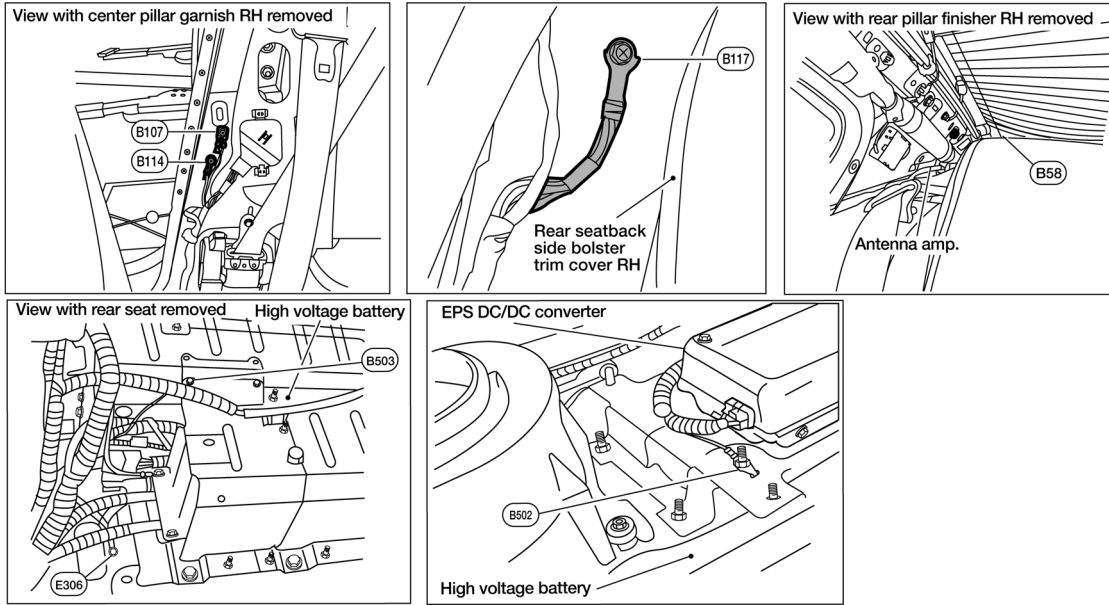
CONNECTOR NUMBER	CONNECT TO
(B28)	Trunk lamp switch and trunk release solenoid
(B29)	Rear parcel shelf antenna shield
(B30)	Rear combination lamp LH (without rear view camera)
(B33)	Trunk opener request switch
(B37)	High mounted stop lamp (without spoiler) (without rear view camera)
(B40)	High mounted stop lamp (with spoiler) (without rear view camera)
(B42)	Fuel level sensor unit and fuel pump (without rear view camera)
(B45)	Rear combination lamp RH (without rear view camera)
(B202)	Seat belt buckle switch LH

ABMIA1865GB

GROUND

< COMPONENT DIAGNOSIS >

BODY NO. 2 HARNESS



ABM1A1866GB

A
B
C
D
E
F
G
H
I
J
K
L
PG
N
O
P

HARNESS

< COMPONENT DIAGNOSIS >

HARNESS

Harness Layout

INFOID:000000005439157

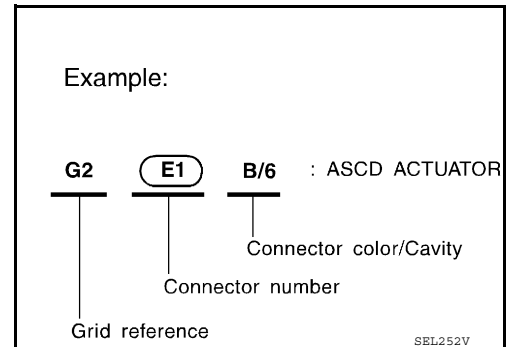
HOW TO READ HARNESS LAYOUT

The following Harness Layouts use a map style grid to help locate connectors on the drawings:

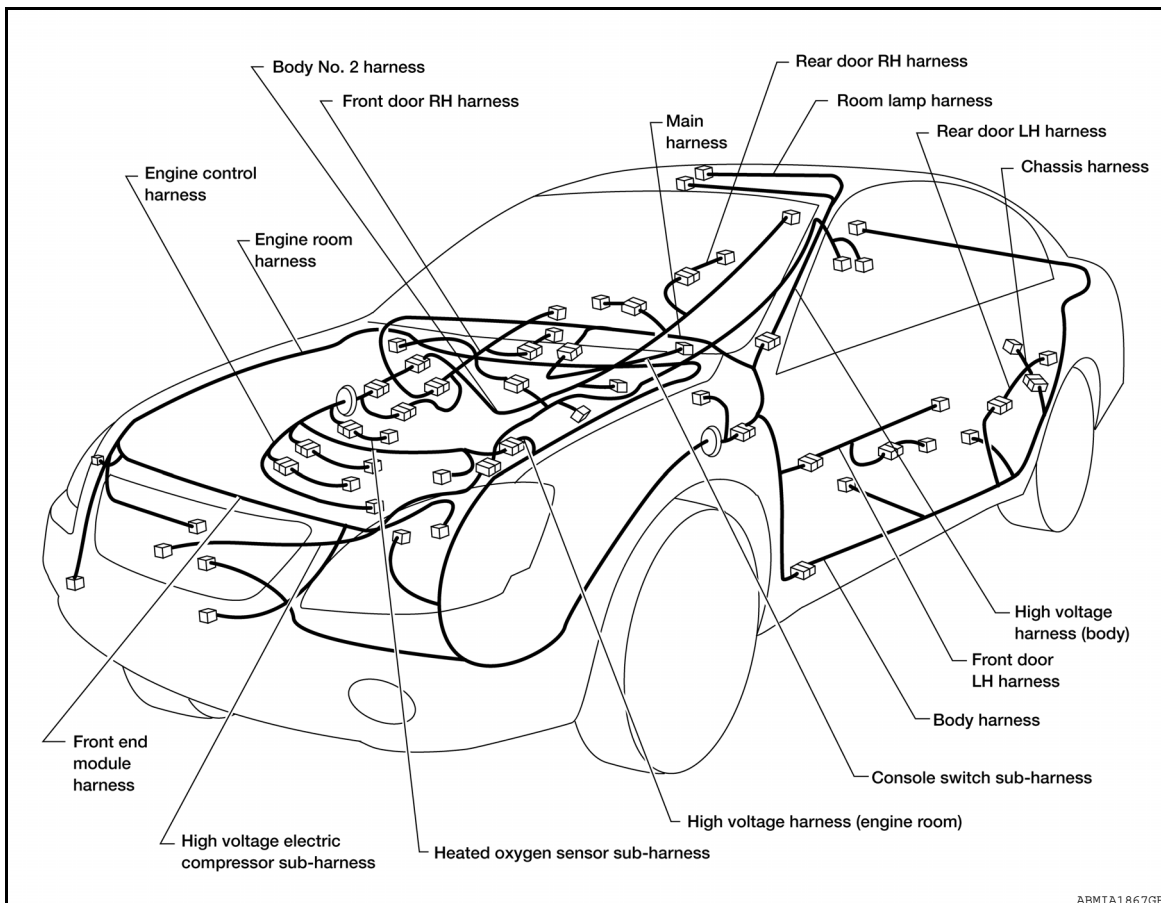
- Main Harness and Console Switch Sub-harness
- Engine Room Harness
- Engine Room Harness (Passenger Compartment)
- Front End Module Harness
- High Voltage Harness (Engine Room) and High Voltage Electric Compressor Sub-harness
- High Voltage Harness (Body)
- Engine Control Harness and Heated Oxygen Sensor Sub-harness
- Body Harness and Chassis Harness
- Body No. 2 Harness
- Room Lamp Harness

To use the grid reference

1. Find the desired connector number on the connector list.
2. Find the grid reference.
3. On the drawing, find the crossing of the grid reference letter column and number row.
4. Find the connector number in the crossing zone.
5. Follow the line (if used) to the connector.



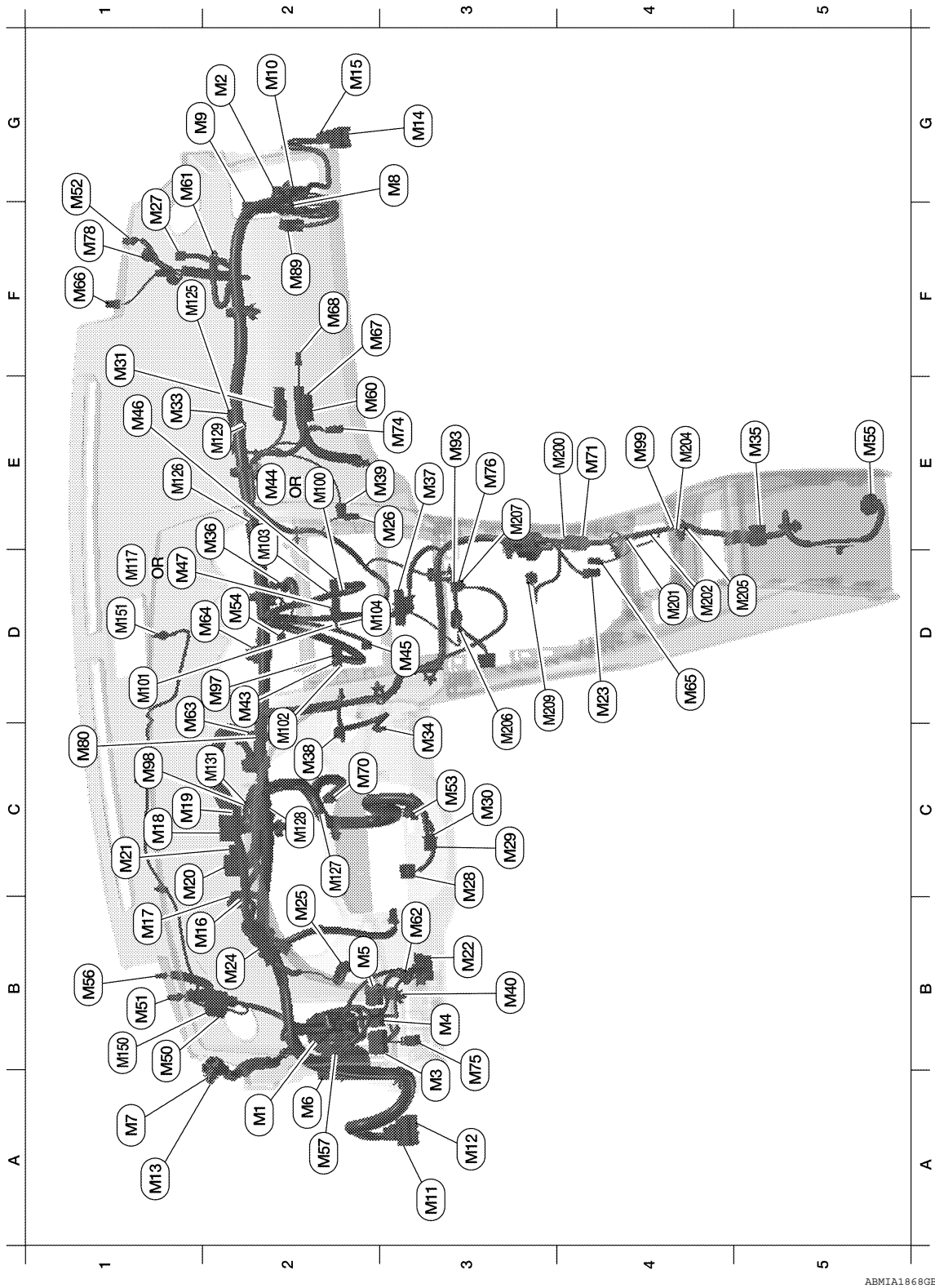
OUTLINE



HARNESS

< COMPONENT DIAGNOSIS >

MAIN HARNESS



PG

A2	M1	SMJ	: To E30	D2	M54	W/4	: Hazard switch
G2	M2	W/32	: To B101	E5	M55	B/5	: Yaw rate/side/decel G sensor
B3	M3	W/8	: Fuse block (J/B)	B1	M56	B/2	: Sunload sensor
B3	M4	W/10	: Fuse block (J/B)	A2	M57	—	: Body ground

HARNESS

< COMPONENT DIAGNOSIS >

B2	M5	W/12	: Fuse block (J/B)	E2	M60	Y/2	: Front passenger air bag module
A2	M6	SMJ	: To B1	G1	M61	—	: Body ground
A1	M7	W/16	: To R1	B3	M62	W/2	: Tire pressure warning check connector
G3	M8	W/24	: To B102	D1	M63	L/12	: Joint connector-M02
G1	M9	BR/16	: To B103	D1	M64	GR/6	: Joint connector-M01
G2	M10	BR/12	: To B104	D4	M65	BR/2	: CVT shift selector
A3	M11	W/16	: To D1	F1	M66	W/3	: Optical sensor
A3	M12	W/16	: To D2	F3	M67	O/2	: Front passenger air bag module
A1	M13	W/4	: To R2	F2	M68	W/2	: Glove box lamp
G3	M14	W/10	: To D101	C2	M70	W/4	: Tire pressure receiver
G2	M15	W/12	: To D102	E3	M71	W/12	: To M200
B1	M16	B/3	: BCM (body control module)	E3	M74	W/2	: Trunk lid cancel switch
B1	M17	W/16	: BCM (body control module)	B3	M75	B/2	: Trunk lid opener switch
C1	M18	G/40	: BCM (body control module)	E3	M76	B/3	: Front power socket
C1	M19	B/40	: BCM (body control module)	F1	M78	Y/4	: Front passenger air bag module (service replacement)
C1	M20	W/12	: BCM (body control module)	C1	M80	—	: Diode-3
C1	M21	GR/40	: BCM (body control module)	F2	M89	W/12	: To E64
B3	M22	W/16	: Data link connector	E3	M93	W/12	: To M207
D4	M23	W/10	: CVT shift selector	D2	M97	G/4	: Audio unit (BOSE audio system without NAVI)
B2	M24	W/40	: Combination meter	C1	M98	W/4	: To M131
B2	M25	B/10	: Meter mode switch	E4	M99	GR/6	: To M204
E3	M26	BR/2	: Brake warning buzzer	E2	M100	W/20	: AV control unit (BOSE audio system with NAVI)
F1	M27	B/4	: Remote keyless entry receiver	D1	M101	G/4	: AV control unit (BOSE audio system with NAVI)
C3	M28	W/16	: Combination switch	C2	M102	W/32	: AV control unit (BOSE audio system with NAVI)
C3	M29	Y/6	: Combination switch	E2	M103	W/40	: AV control unit (BOSE audio system with NAVI)
C3	M30	GR/8	: Combination switch	D2	M104	W/28	: AV control unit (BOSE audio system with NAVI)
E1	M31	W/6	: Blower motor	D1	M117	W/12	: Audio unit (with base audio system)
E1	M33	W/3	: To M125	F1	M125	W/3	: To M33
C3	M34	W/2	: In-vehicle sensor	E1	M126	W/3	: Intake door motor
E5	M35	Y/28	: Air bag diagnosis sensor unit	C2	M127	W/3	: Mode door motor
E2	M36	W/3	: Front passenger air bag off indicator	C2	M128	W/3	: Air mix door motor LH
E3	M37	W/40	: Controller (auto amp.)	E2	M129	W/3	: Air mix door motor RH
C2	M38	BR/8	: Push-button ignition switch	C2	M131	W/4	: To M98
E2	M39	W/4	: Intake sensor	D1	M150	W/2	: To M50
D3	M40	W/12	: Key slot	B1	M151	BR/2	: Center speaker (BOSE audio system with NAVI)
D2	M43	W/20	: Audio unit (with base audio system)	Console switch sub-harness			
E2	M44	W/20	: Audio unit (BOSE audio system without NAVI)	E4	M200	W/12	: To M71
D3	M45	W/32	: Audio unit (BOSE audio system without NAVI)	D4	M201	W/6	: Front heated seat switch LH

HARNESS

< COMPONENT DIAGNOSIS >

E1	M46	W/12	: Audio unit (BOSE audio system without NAVI)	D4	M202	BR/6	: Front heated seat switch RH	A
D1	M47	W/12	: Audio unit (BOSE audio system without NAVI)	D4	M204	GR/6	: To M99	B
B1	M50	W/2	: To M150	D5	M205	G/4	: USB interface	B
B1	M51	BR/2	: Tweeter LH	C3	M206	W/8	: Aux jack	C
G1	M52	BR/2	: Tweeter RH	E3	M207	W/12	: To M93	C
C3	M53	W/8	: Steering angle sensor	D3	M209	B/3	: Front console power socket	D

D

E

F

G

H

I

J

K

L

PG

N

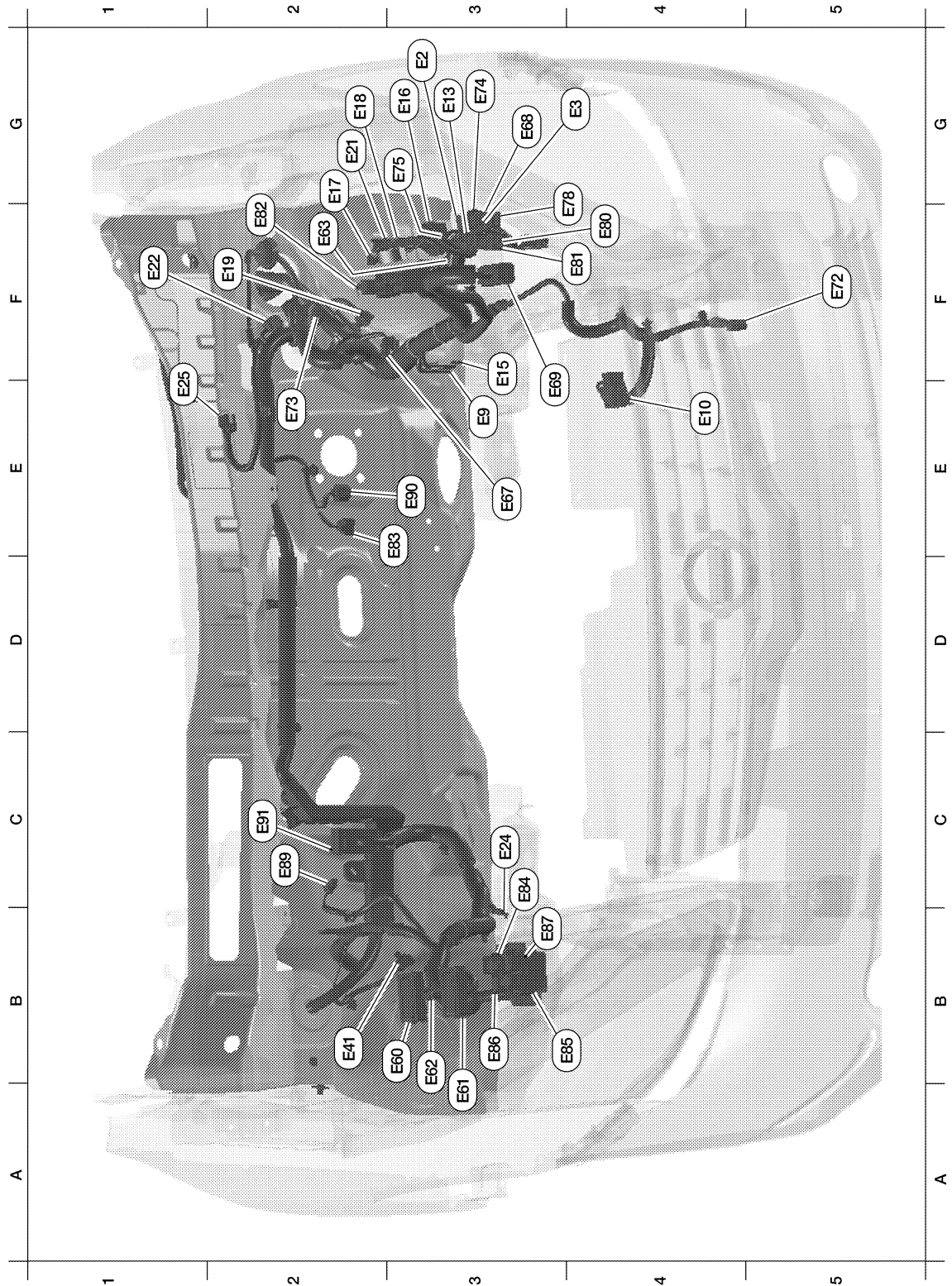
O

P

HARNESS

< COMPONENT DIAGNOSIS >

ENGINE ROOM HARNESS



ABMIA1869GB

G3	E2	W/8	: To E202	E3	E67	B/4	: To E301
G3	E3	B/5	: Daytime light relay	G3	E68	W/20	: To F80
E3	E9	—	: Body ground	F3	E69	B/40	: MG ECU
E4	E10	B/32	: ECM	F5	E72	GR/4	: Water pump with motor and bracket assembly
G3	E13	B/3	: To E205	E2	E73	BR/3	: Intelligent key warning buzzer

HARNESSES

< COMPONENT DIAGNOSIS >

F3	E15	—	: Body ground	G3	E74	W/4	: Joint connector - E08
G3	E16	B/2	: IPDM E/R (intelligent power distribution module engine room)	G3	E75	W/6	: Joint connector - E01
G2	E17	W/8	: IPDM E/R (intelligent power distribution module engine room)	G4	E78	W/12	: To F82
G2	E18	W/36	: IPDM E/R (intelligent power distribution module engine room)	F4	E80	BR/8	: To F84
F2	E19	GR/2	: Front wheel sensor LH	F4	E81	B/1	: To E207
G2	E21	B/4	: Joint connector-E03	F2	E82	—	: Cooling fan relay - 1
F1	E22	B/10	: Joint connector-E04	E3	E83	B/2	: Heater pump
C3	E24	—	: Body ground	C3	E84	L/5	: ABS relay No. 1
E1	E25	GR/5	: Front wiper motor	B4	E85	L/5	: ABS relay No. 2
B2	E41	GR/2	: Front wheel sensor RH	B3	E86	L/5	: ABS motor relay No. 2
B3	E60	B/46	: Brake ECU	B3	E87	L/5	: ABS motor relay No. 1
A3	E61	B/40	: Brake ECU	C2	E89	B/2	: Brake fluid level switch
B3	E62	B/5	: Brake ECU	E3	E90	B/2	: Brake simulator
F2	E63	W/4	: Joint connector - E09	C2	E91	B/46	: Brake actuator

A
B
C
D
E
F
G
H
I
J
K
L

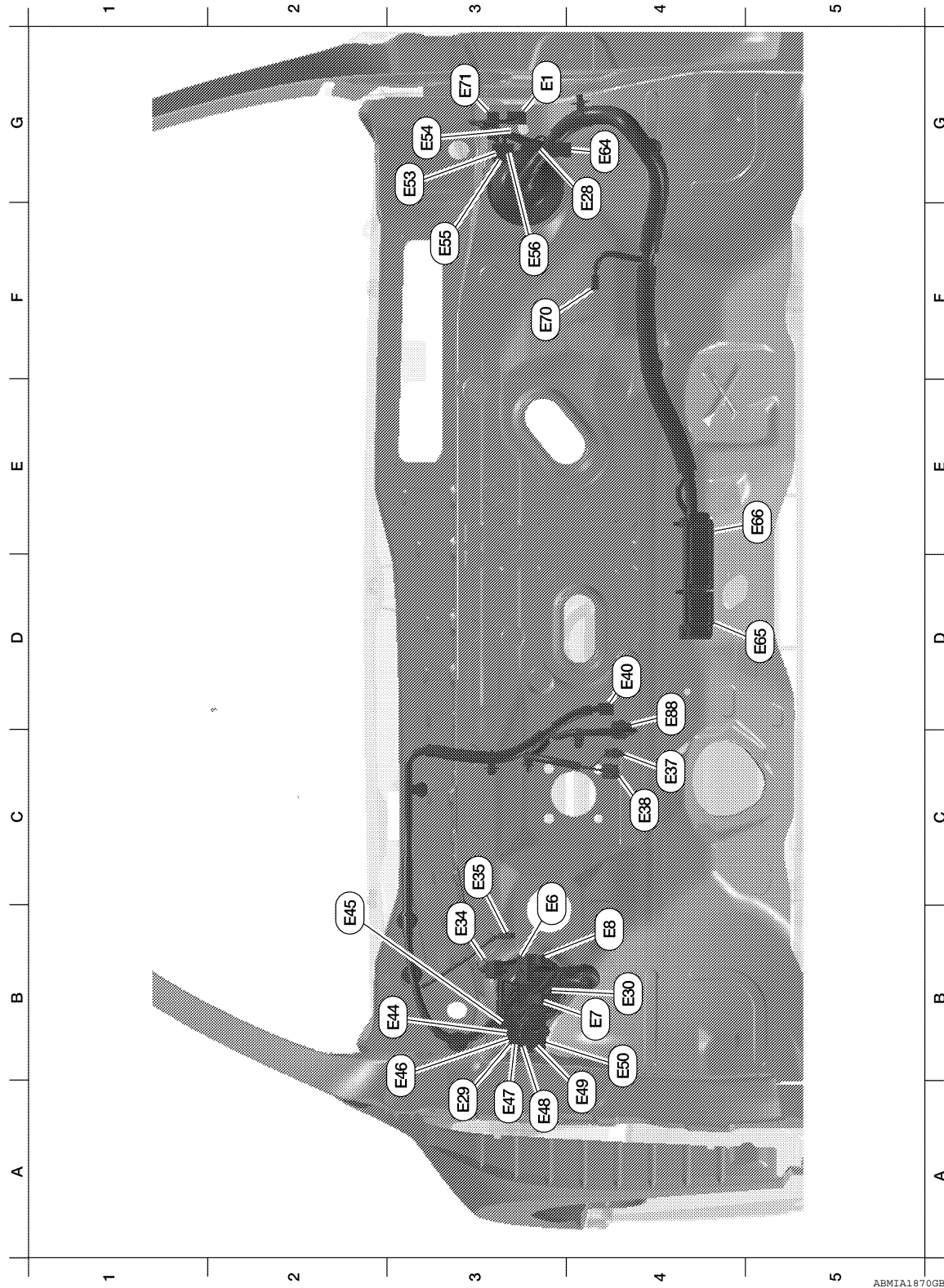
PG

N
O
P

HARNESS

< COMPONENT DIAGNOSIS >

ENGINE ROOM HARNESS (PASSENGER COMPARTMENT)



ABMIA1870GB

G3	E1	W/10	: To B109	A3	E47	W/6	: Junction block
C3	E6	W/16	: Fuse block (J/B)	A3	E48	W/4	: Junction block
B4	E7	W/1	: Fuse block (J/B)	A4	E49	BR/4	: Junction block
B4	E8	B/2	: Fuse block (J/B)	B4	E50	W/2	: Junction block
F4	E28	W/6	: Joint connector - E05	G3	E53	W/4	: Joint connector - E10

HARNESS

< COMPONENT DIAGNOSIS >

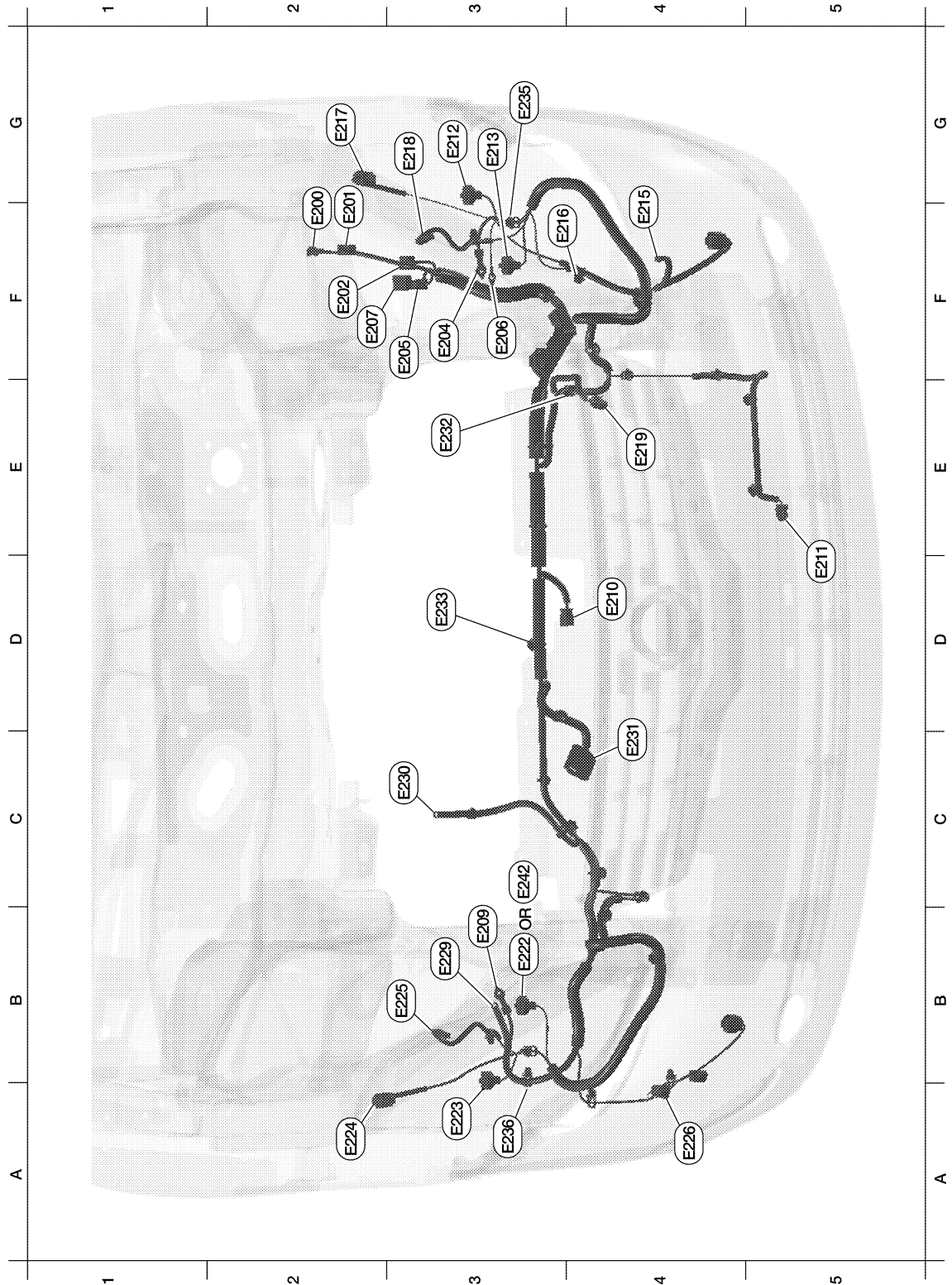
A3	E29	W/16	: To B10	G3	E54	W/4	: Joint connector - E11
B4	E30	SMJ	: To M1	F3	E55	W/4	: Joint connector-E12
B3	E34	L/4	: Back-up lamp relay	F3	E56	W/4	: Joint connector - E13
C3	E35	B/1	: Parking brake switch	G4	E64	W/12	: To M89
C4	E37	BR/2	: ASCD brake switch	D5	E65	B/60	: Hybrid vehicle control ECU
C4	E38	W/4	: Stop lamp switch	E5	E66	B/126	: Hybrid vehicle control ECU
D4	E40	B/6	: Accelerator pedal position switch	F3	E70	W/8	: Data recorder
B3	E44	BR/12	: Junction block	G3	E71	GR/24	: To B129
B2	E45	W/12	: Junction block	D4	E88	B/4	: Brake stroke sensor
B2	E46	W/12	: Junction block				

A
B
B
C
C
D
D
E
F
G
H
I
J
K
L
N
O
P

PG

HARNESS

< COMPONENT DIAGNOSIS > FRONT END MODULE HARNESS



ABM1A1871GB

F2	E200	W/8	: IPDM E/R (intelligent power distribution module engine room)	G3	E218	B/2	: Front combination lamp LH
F2	E201	W/16	: IPDM E/R (intelligent power distribution module engine room)	E4	E219	B/3	: Refrigerant pressure sensor
F2	E202	W/8	: To E2	B3	E222	B/2	: Front combination lamp RH (without daytime light system)

HARNESS

< COMPONENT DIAGNOSIS >

F3	E204	—	: Body ground	A3	E223	B/2	: Front combination lamp RH
F3	E205	B/3	: To E13	A2	E224	GR/3	: Front combination lamp RH
F3	E206	—	: Body ground	B3	E225	B/2	: Front combination lamp RH
F2	E207	B/1	: To E81	A4	E226	B/2	: Front washer motor
B3	E209	—	: Body ground	B3	E229	—	: Bonding wire
D4	E210	Y/2	: Crash zone sensor	C3	E230	—	: Body ground
D5	E211	B/2	: Ambient sensor	C4	E231	GR/3	: Cooling fan control module
G3	E212	B/2	: Front combination lamp LH	E3	E232	B/2	: Cooling fan control module
G3	E213	B/2	: Front combination lamp LH	D3	E233	B/2	: Cooling fan control module
F4	E215	B/1	: Horn (low)	G3	E235	B/2	: Front combination lamp LH
F3	E216	B/1	: Horn (high)	A3	E236	B/2	: Front combination lamp RH
G2	E217	GR/3	: Front combination lamp LH	C3	E242	B/2	: Front combination lamp RH (with daytime light system)

A
B
C
D
E
F
G
H
I
J
K
L

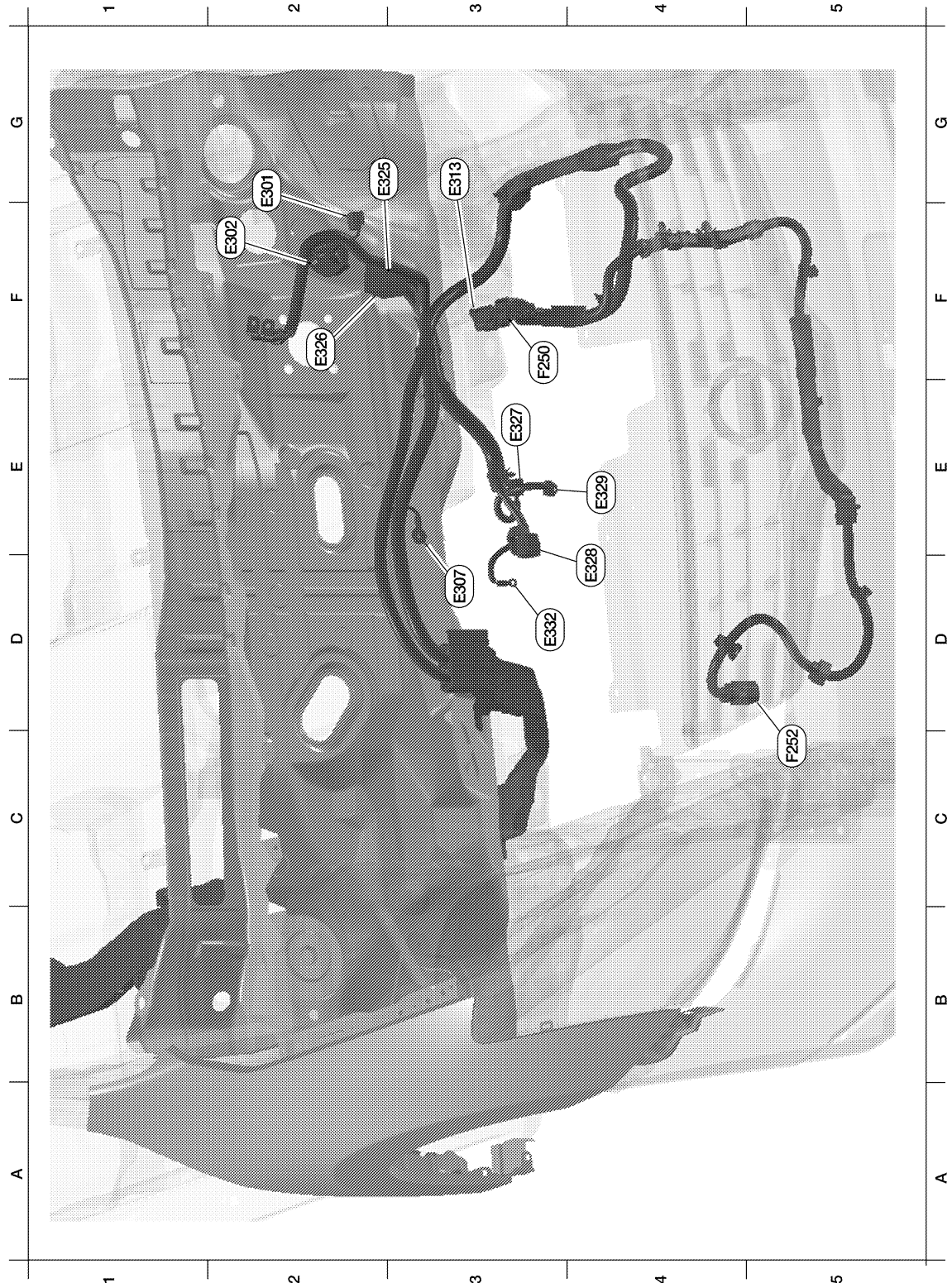
PG

N
O
P

HARNESS

< COMPONENT DIAGNOSIS >

HIGH VOLTAGE HARNESS (ENGINE ROOM)



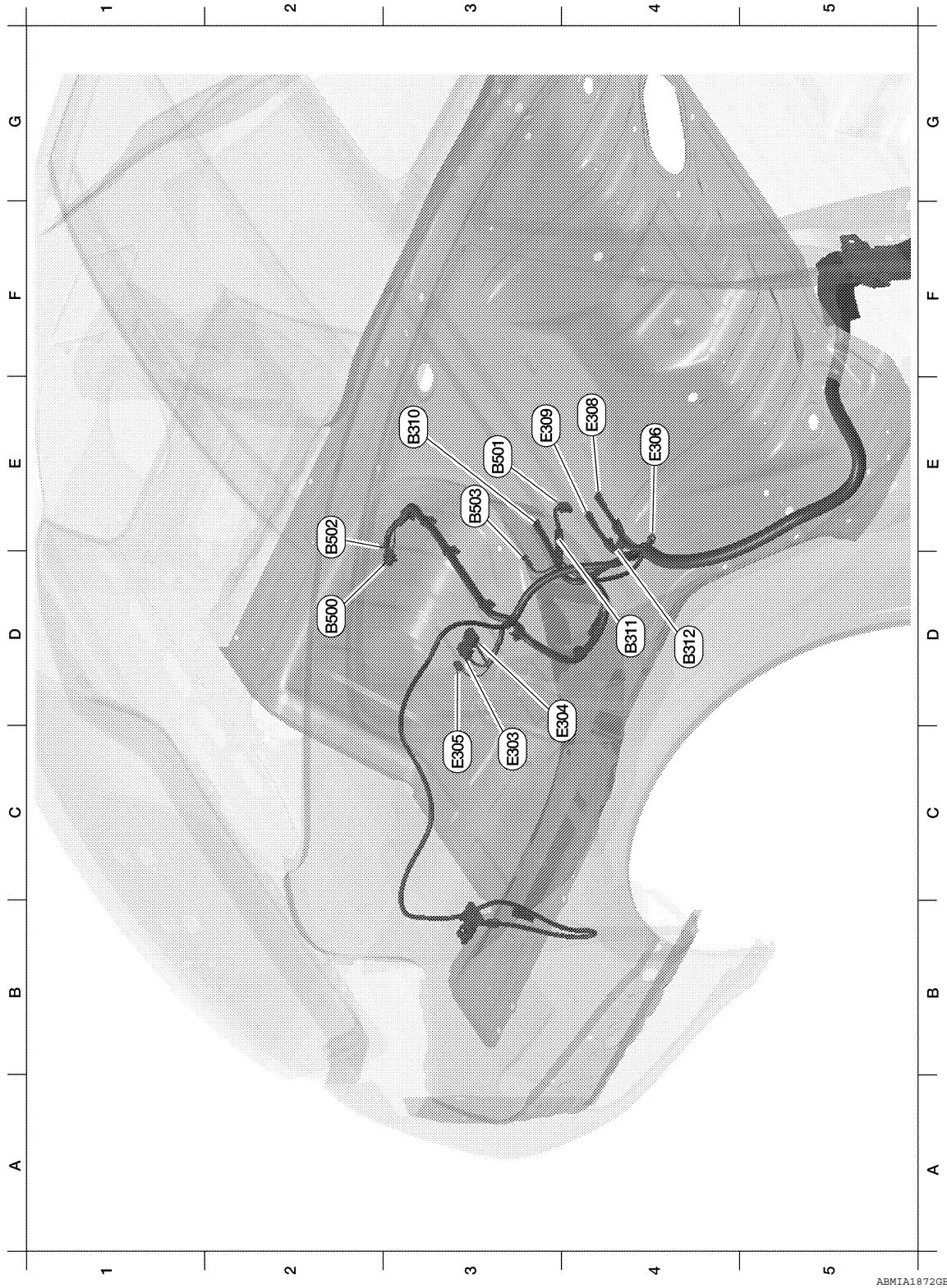
G2	E301	B/4	: To E67	D4	E328	GR/3	: EPS motor
F2	E302	B/11	: EPS control unit	E4	E329	GR/4	: EPS motor
D3	E307	—	: Body ground	D3	E332	—	: Power steering motor ground
G3	E313	W/2	: Inverter	High voltage electric compressor sub-harness			
G3	E325	GR/3	: EPS control unit	F3	F250	W/2	: Inverter

HARNESS

< COMPONENT DIAGNOSIS >

F2	E326	GR/13	: EPS control unit	C5	F252	O/2	: Electric compressor
E3	E327	GR/8	: Torque sensor				

HIGH VOLTAGE HARNESS (BODY)



ABMIA1872GB

C3	E303	W/2	: EPS DC/DC converter	E3	B311	—	: High voltage battery
D4	E304	GR/2	: EPS DC/DC converter	D2	B312	—	: High voltage battery
C3	E305	W/4	: EPS DC/DC converter	D2	B500	O/5	: EPS DC/DC converter

A
B
C
D
E
F
G
H
I
J
K
L
M
N
O
P

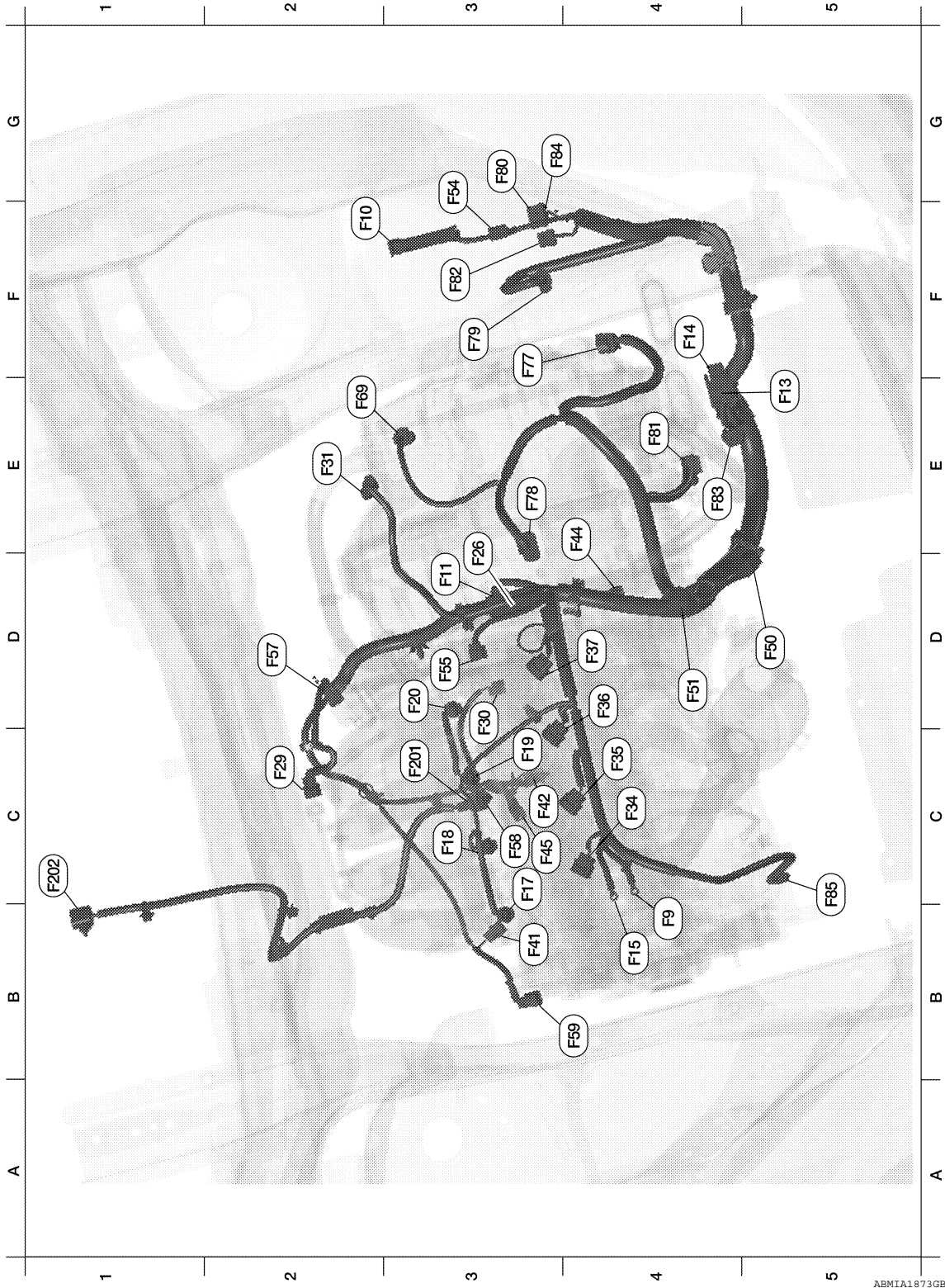
PG

HARNESS

< COMPONENT DIAGNOSIS >

E4	E306	—	: Body ground	E3	B501	W/4	: High voltage battery
E4	E308	—	: High voltage battery	E2	B502	—	: Body ground
E3	E309	—	: High voltage battery	E3	B503	—	: Body ground
E2	B310	—	: High voltage battery				

ENGINE CONTROL HARNESS



HARNESS

< COMPONENT DIAGNOSIS >

B4	F9	—	: Engine ground	C3	F45	GR/2	: Knock sensor	A	
F2	F10	W/36	: IPDM E/R (intelligent power distribution module engine room)	D5	F50	B/10	: Joint connector - F01	B	
D3	F11	GR/2	: Engine coolant temperature sensor	D4	F51	B/6	: Joint connector - F05	B	
E5	F13	BR/48	: ECM	G3	F54	W/4	: Joint connector - F08	C	
F4	F14	GR/32	: ECM	D3	F55	B/3	: Camshaft position sensor (PHASE)	C	
B4	F15	—	: Engine ground	D2	F57	B/6	: Electric throttle control actuator	D	
C3	F17	GR/2	: Fuel injector No. 1	C3	F58	B/4	: To F101	D	
C3	F18	GR/2	: Fuel injector No. 2	B4	F59	G/2	: Intake valve timing control solenoid valve	D	
C3	F19	GR/2	: Fuel injector No. 3	E2	F69	B/3	: Motor generator No. 2	E	
D3	F20	GR/2	: Fuel injector No. 4	F3	F77	B/6	: Motor generator No. 2	E	
E3	F26	W/2	: Condenser-2	E3	F78	B/10	: Motor generator No. 1	F	
C2	F29	L/2	: EVAP canister purge volume control solenoid valve	F3	F79	GR/13	: MG ECU	F	
D3	F30	B/3	: Crankshaft position sensor (POS)	G3	F80	W/20	: To E68	G	
E2	F31	B/6	: Mass air flow sensor	E4	F81	GR/9	: Transmission switch	G	
C4	F34	GR/3	: Ignition coil No. 1 (with power transistor)	F3	F82	W/12	: To E78	H	
C4	F35	GR/3	: Ignition coil No. 2 (with power transistor)	E4	F83	B/10	: Joint connector - F03	H	
D4	F36	GR/3	: Ignition coil No. 3 (with power transistor)	G3	F84	BR/8	: To E80	I	
D4	F37	GR/3	: Ignition coil No. 4 (with power transistor)	C5	F85	B/6	: Electric compressor	I	
B3	F41	GR/1	: Oil pressure switch	Heated oxygen sensor sub-harness					J
C3	F42	B/4	: Heated oxygen sensor 2	C3	F201	B/4	: To F58	J	
E4	F44	GR/4	: Air fuel ratio (A/F) sensor 1	C1	F202	GR/4	: Heated oxygen sensor 3	K	

PG

N

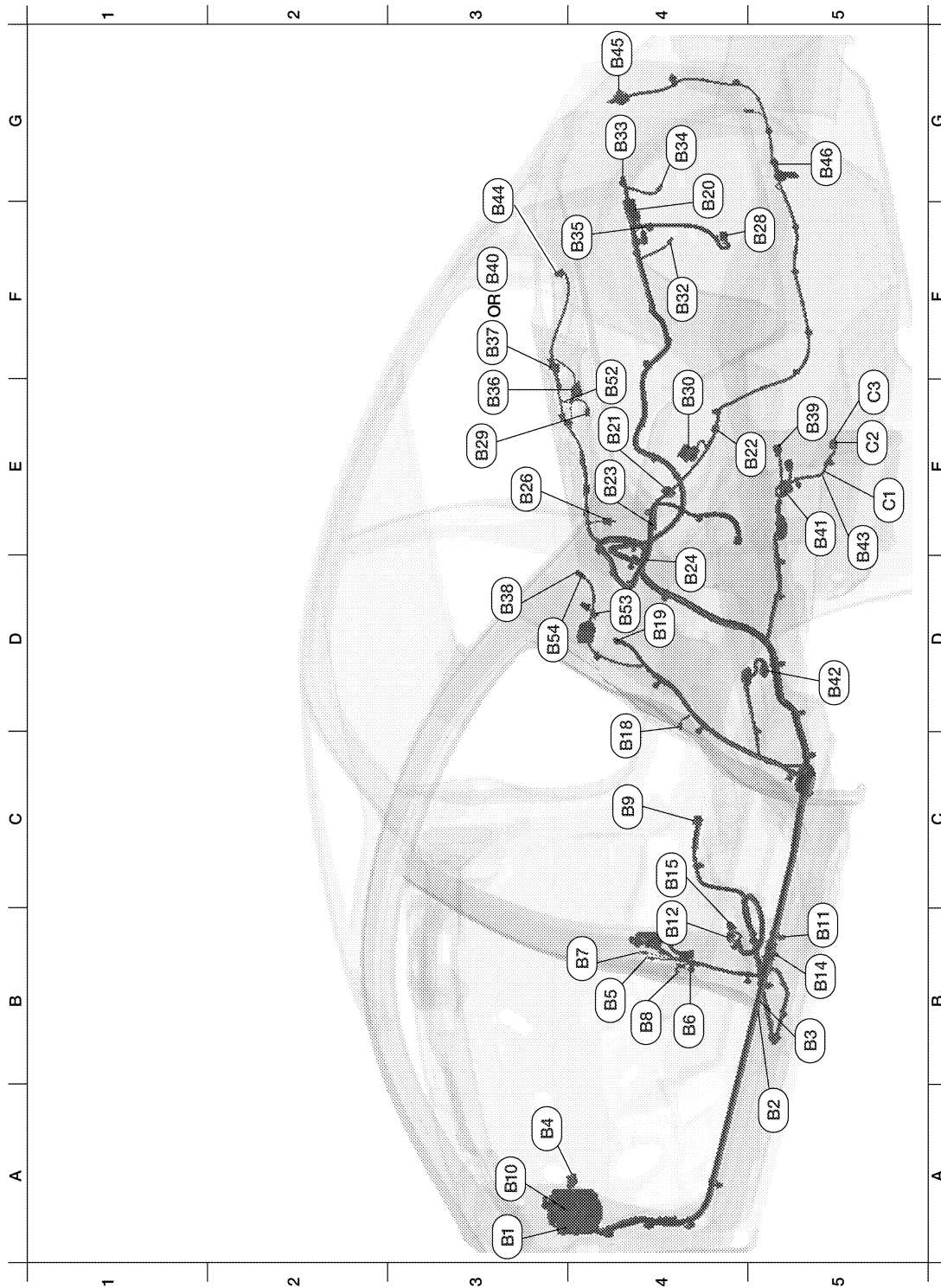
O

P

HARNESS

< COMPONENT DIAGNOSIS >

BODY HARNESS



ABM1A1874GB

A3	B1	SMJ	: To M6	E4	B30	W/6	: Rear combination lamp LH
A5	B2	W/4	: Joint connector-B01	F4	B32	BR/2	: License plate lamp RH
B5	B3	W/4	: Joint connector-B02	G4	B33	BR/2	: Trunk opener request switch
A3	B4	BR/12	: Fuse block (J/B)	G4	B34	BR/2	: License plate lamp LH
B4	B5	—	: Body ground	F4	B35	W/4	: Rear view camera

HARNESSES

< COMPONENT DIAGNOSIS >

B4	B6	W/8	: To D201	E3	B36	W/2	: Trunk room lamp	A	
B4	B7	—	: Body ground	F3	B37	W/2	: High mounted stop lamp (without rear spoiler)	B	
B4	B8	W/3	: Front door switch LH	D3	B38	Y/2	: LH side front curtain air bag module	B	
C4	B9	Y/12	: Air bag diagnosis sensor unit	E5	B39	B/2	: EVAP canister vent control valve	C	
A3	B10	W/16	: To E29	D3	B40	BR/2	: High mounted stop lamp (with rear spoiler)	C	
B5	B11	Y/2	: Front LH side air bag module	E5	B41	GR/3	: EVAP control system pressure sensor	C	
B4	B12	W/8	: To B201	D5	B42	GR/5	: Fuel level sensor unit and fuel pump	D	
B5	B14	Y/2	: Front LH seat belt pre-tensioner	E5	B43	GR/4	: To C1	D	
C4	B15	Y/2	: LH side air bag (satellite) sensor	F3	B44	W/2	: Rear speaker RH (with base audio system)	D	
C4	B18	W/3	: Rear door switch LH	G4	B45	W/6	: Rear combination lamp RH	E	
D4	B19	—	: Body ground	G5	B46	GR/2	: Rear bumper antenna	E	
E4	B21	L/12	: Joint connector-B06	F4	B52	W/1	: Condenser	F	
E5	B22	GR/6	: Joint connector-B07	D4	B53	B/1	: Rear window defogger	F	
E4	B23	W/4	: Joint connector-B08	E3	B54	B/1	: Rear window defogger	F	
D4	B24	W/4	: Joint connector-B09	Chassis harness					
E3	B26	W/2	: Rear speaker LH (with base audio system)	E5	C1	GR/4	: To B43	G	
F5	B28	W/4	: Trunk lamp switch and trunk release solenoid	E5	C2	B/2	: Rear wheel sensor LH	H	
E3	B29	GR/2	: Rear parcel shelf antenna	E5	C3	GR/2	: Rear wheel sensor RH	H	

PG

N

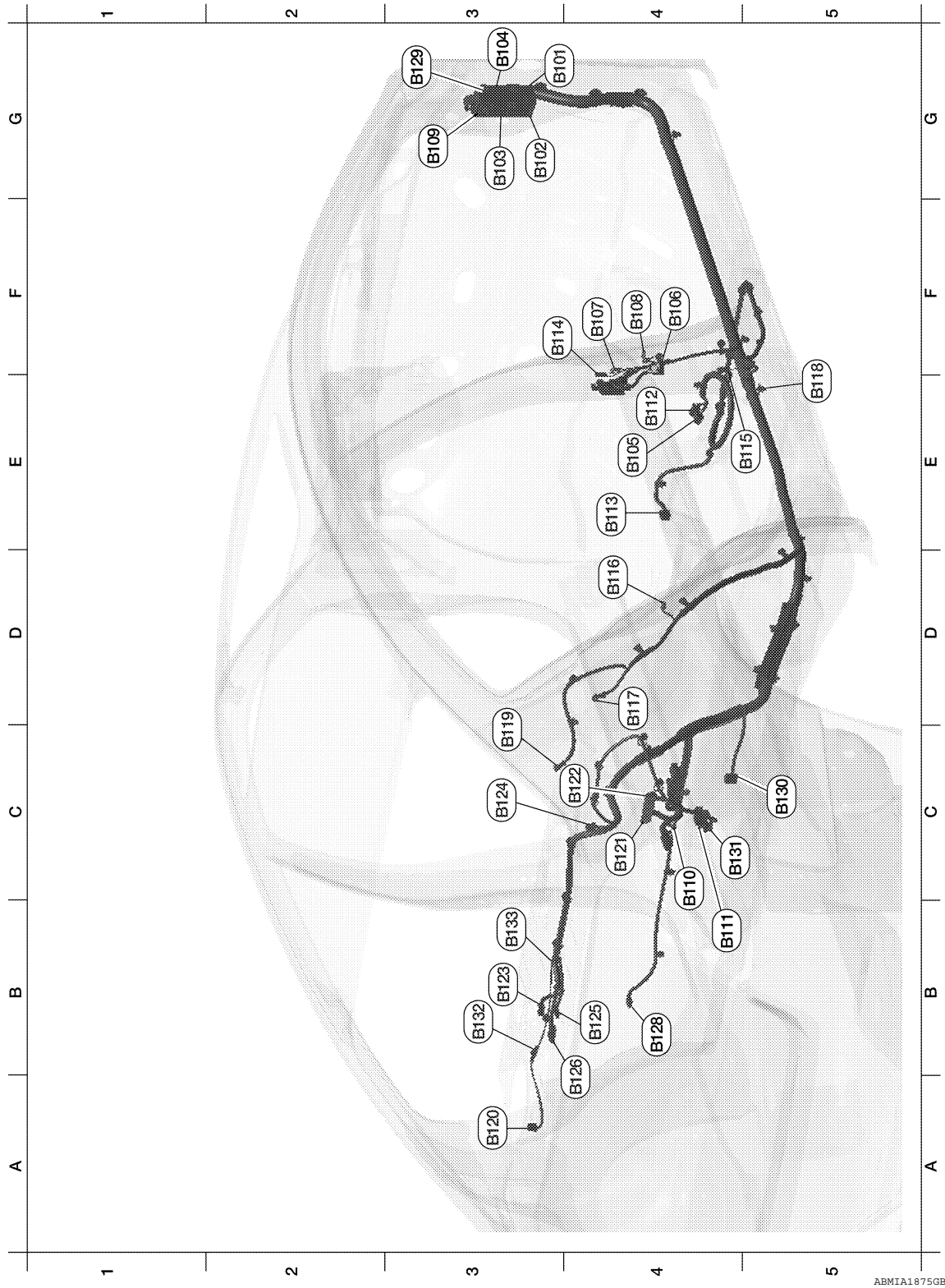
O

P

HARNESS

< COMPONENT DIAGNOSIS >

BODY NO. 2 HARNESS



ABM1A1875GB

G3	B101	W/32	: To M2	D4	B116	W/3	: Rear door switch RH
G3	B102	W/24	: To M8	D4	B117	—	: Body ground
G3	B103	BR/16	: To M9	E5	B118	Y/2	: RH side air bag (satellite) sensor
G3	B104	BR/12	: To M10	C3	B119	Y/2	: RH side curtain air bag module
E4	B105	W/8	: To B301	A3	B120	W/2	: Rear subwoofer LH

HARNESS

< COMPONENT DIAGNOSIS >

F4	B106	W/8	: To D301	C4	B121	BR/23	: BOSE speaker amp.
E4	B107	—	: Body ground	C4	B122	BR/14	: BOSE speaker amp.
F4	B108	W/3	: Front door switch RH	B3	B123	W/16	: Satellite radio tuner or pre-wiring for satellite radio tuner
G3	B109	W/10	: To E1	C3	B124	W/2	: Rear subwoofer RH
C4	B110	W/6	: Joint connector - B01	B4	B125	W/8	: Bluetooth control unit
B4	B111	L/5	: High voltage battery fan relay	B4	B126	W/32	: Bluetooth control unit
E4	B112	Y/2	: Front RH side air bag module	B4	B128	W/4	: Battery cooling blower assembly
E4	B113	Y/12	: Air bag diagnosis sensor unit	G3	B129	GR/24	: To E71
F3	B114	—	: Body ground	C5	B130	W/20	: High Voltage Battery
E5	B115	Y/2	: Front RH seat belt pre-tensioner	C4	B131	W/14	: Brake capacitor

A
B
C
D
E
F
G
H
I
J
K
L

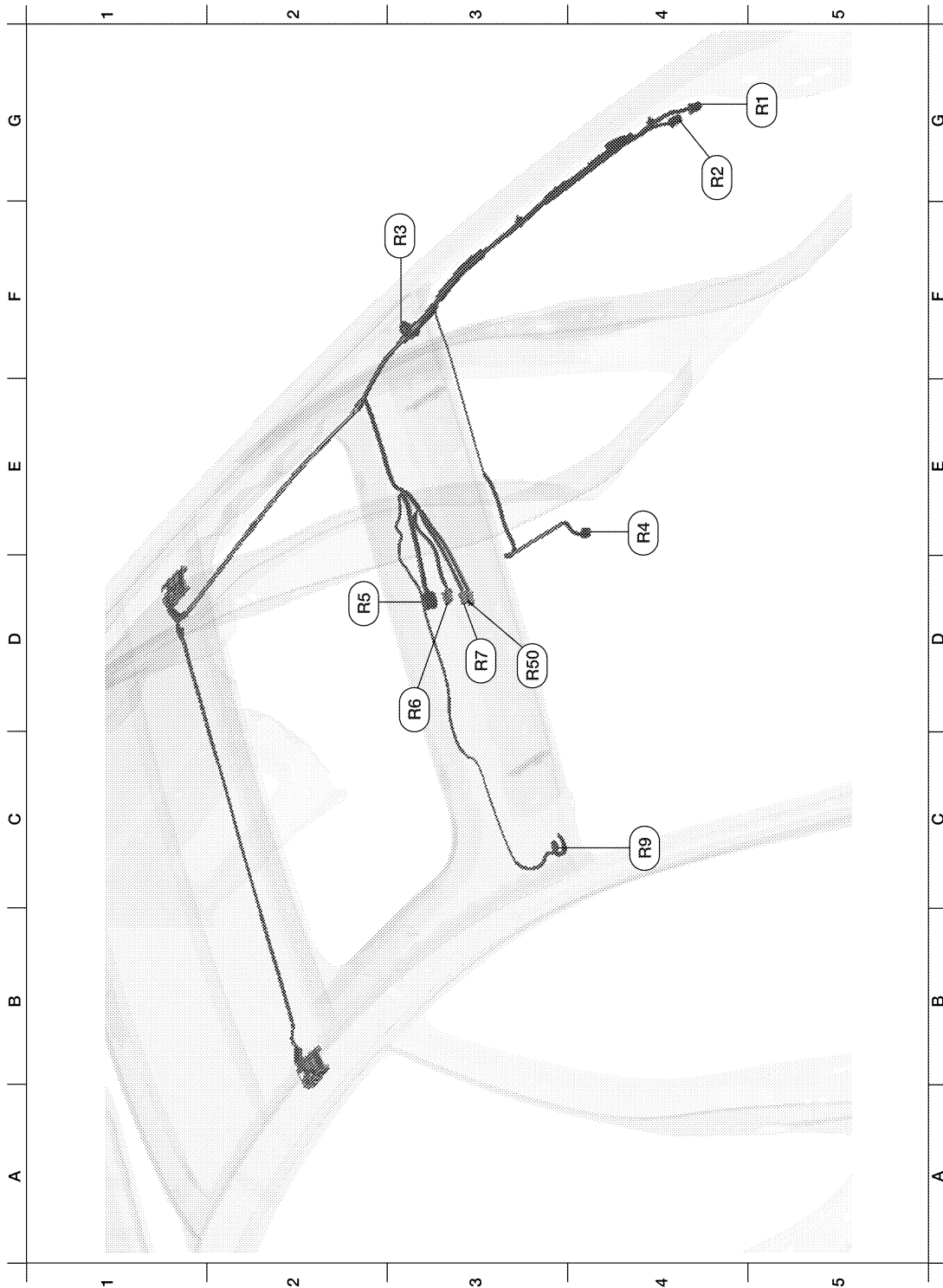
PG

N
O
P

HARNESS

< COMPONENT DIAGNOSIS >

ROOM LAMP HARNESS



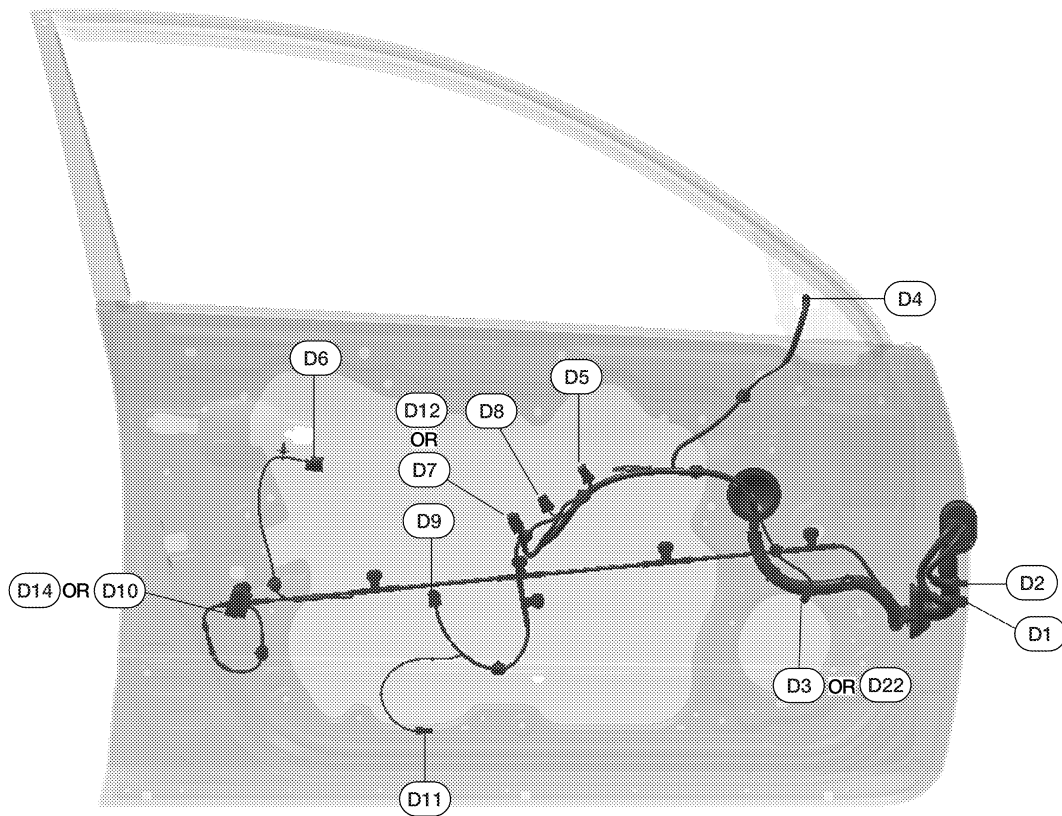
ABMIA0603GB

G5	R1	W/16	: To M7	D3	R6	W/3	: Sunroof switch
G4	R2	W/4	: To M13	D3	R7	W/4	: Microphone
F3	R3	W/2	: Vanity mirror lamp LH	C4	R9	W/2	: Vanity mirror lamp RH
E4	R4	B/10	: Auto anti-dazzling inside mirror	D4	R50	GR/6	: Front room/map lamp assembly
D2	R5	W/10	: Sunroof motor assembly				

HARNESS

< COMPONENT DIAGNOSIS >

FRONT DOOR LH HARNESS



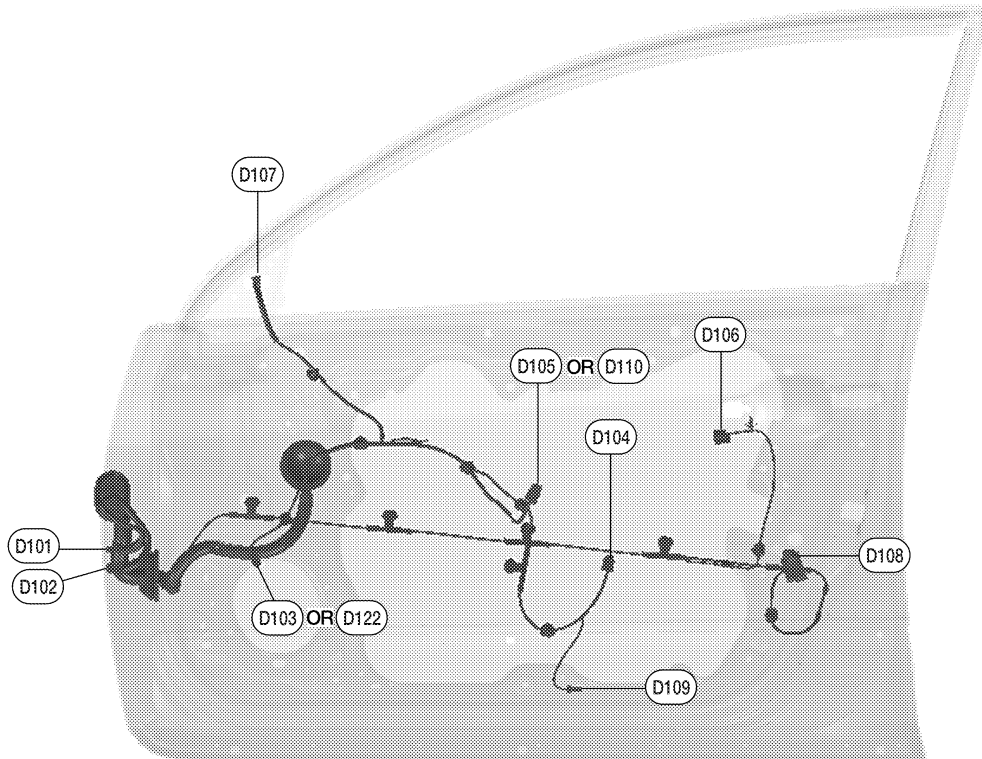
ABM1A1876GB

D1	W/16	: To M11	D8	W/3	: Main power window and door lock/unlock switch
D2	W/16	: To M12	D9	W/6	: Front power window motor LH
D3	W/2	: Front door speaker LH (with base audio system)	D10	GR/6	: Front door lock assembly LH (with left and right front power window anti-pinch system)
D4	W/8	: Door mirror LH	D11	W/2	: Step lamp LH
D5	W/16	: Door mirror remote control switch	D12	W/16	: Main power window and door lock/unlock switch (with left front only power window anti-pinch system)
D6	B/4	: Front outside handle LH	D14	GR/6	: Front door lock assembly LH (with left front only power window anti-pinch system)
D7	W/16	: Main power window and door lock/unlock switch (with left and right front power window anti-pinch system)	D22	BR/2	: Front door speaker LH (with BOSE audio system)

HARNESS

< COMPONENT DIAGNOSIS >

FRONT DOOR RH HARNESS



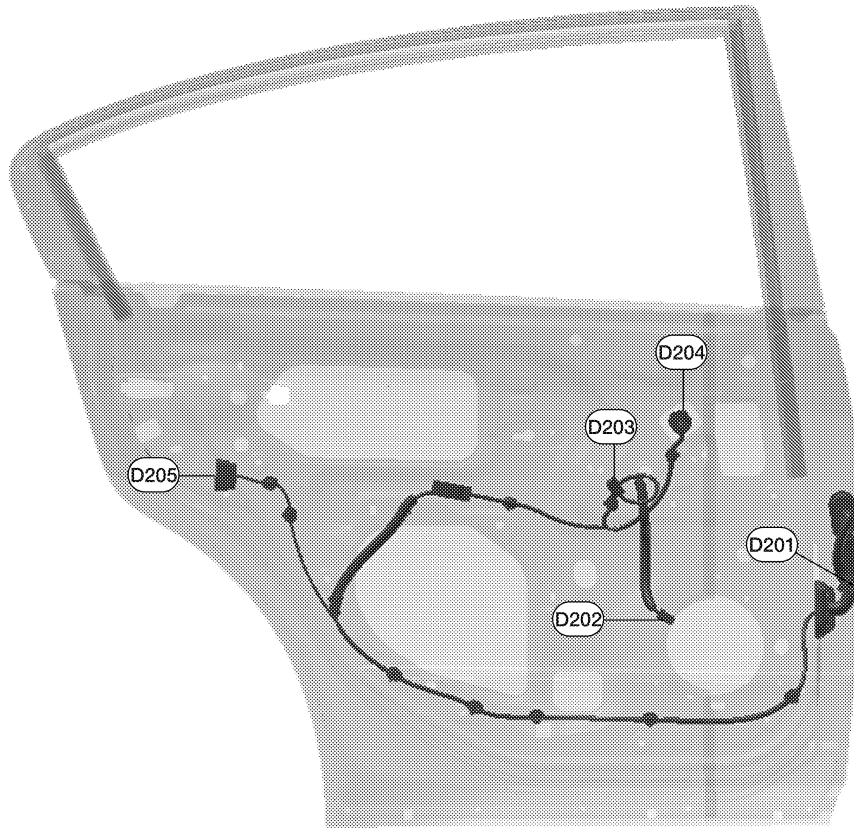
ABMIA1877GB

D101	W/10	: To M14	D107	W/8	: Door mirror RH
D102	W/12	: To M15	D108	GR/6	: Front door lock actuator RH
D103	W/2	: Front door speaker RH (with base audio system)	D109	W/2	: Front step lamp RH
D104	W/6	: Front power window motor RH	D110	W/12	: Power window and door lock/unlock switch RH (with left front only power window anti -pinch system)
D105	W/16	: Power window and door lock/unlock switch RH (with left and right front power window anti -pinch system)	D122	BR/2	: Front door speaker RH (with BOSE audio system)
D106	B/4	: Front outside handle RH			

HARNESS

< COMPONENT DIAGNOSIS >

REAR DOOR LH HARNESS



ALMIA0028GB

D201	W/8	: To B6			
D202	BR/2	: Rear door speaker LH			
D203	W/8	: Rear power window switch LH			
D204	G/6	: Rear power window motor LH			
D205	GR/6	: Rear door lock actuator LH			

A
B
C
D
E
F
G
H
I
J
K
L

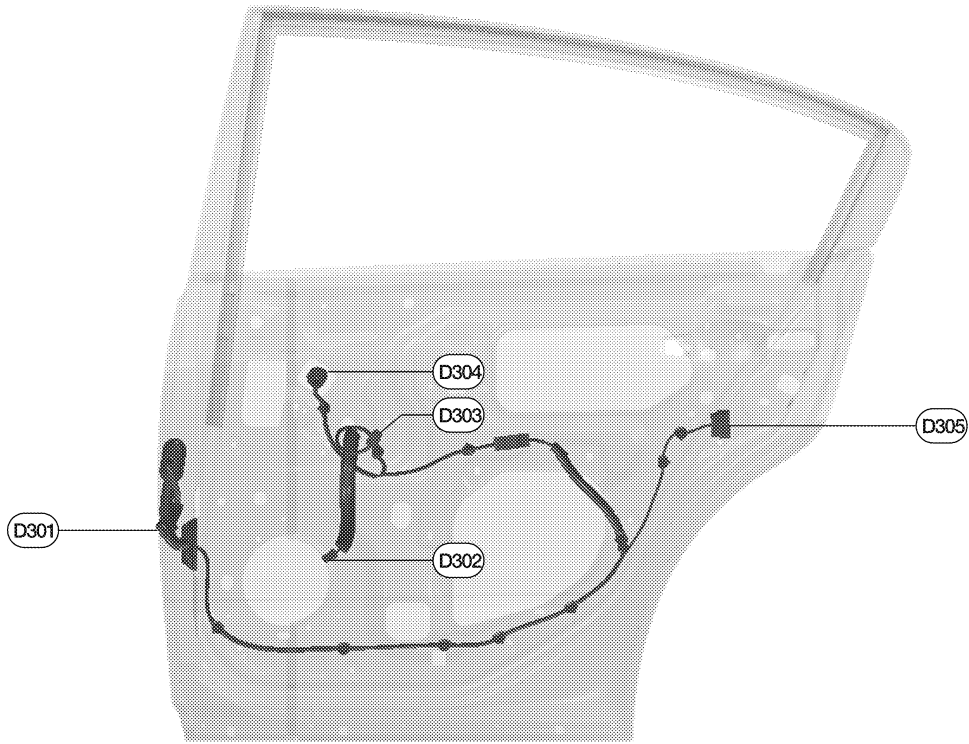
PG

N
O
P

HARNESS

< COMPONENT DIAGNOSIS >

REAR DOOR RH HARNESS



ALMIA0029GB

D301	W/8	: To B106			
D302	BR/2	: Rear door speaker RH			
D303	W/8	: Rear power window switch RH			
D304	G/6	: Rear power window motor RH			
D305	GR/6	: Rear door lock actuator RH			

ELECTRICAL UNITS LOCATION

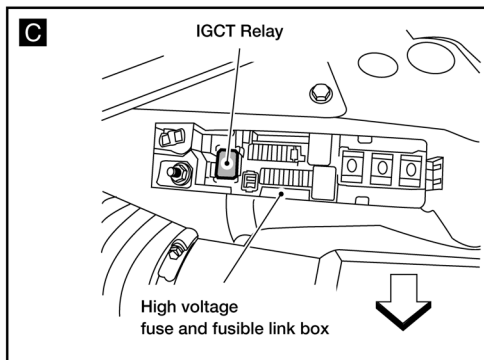
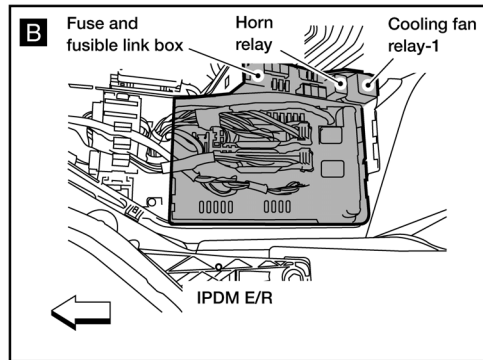
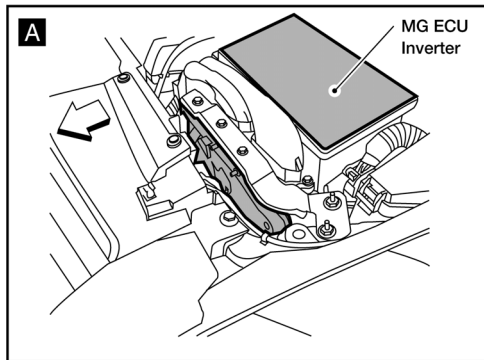
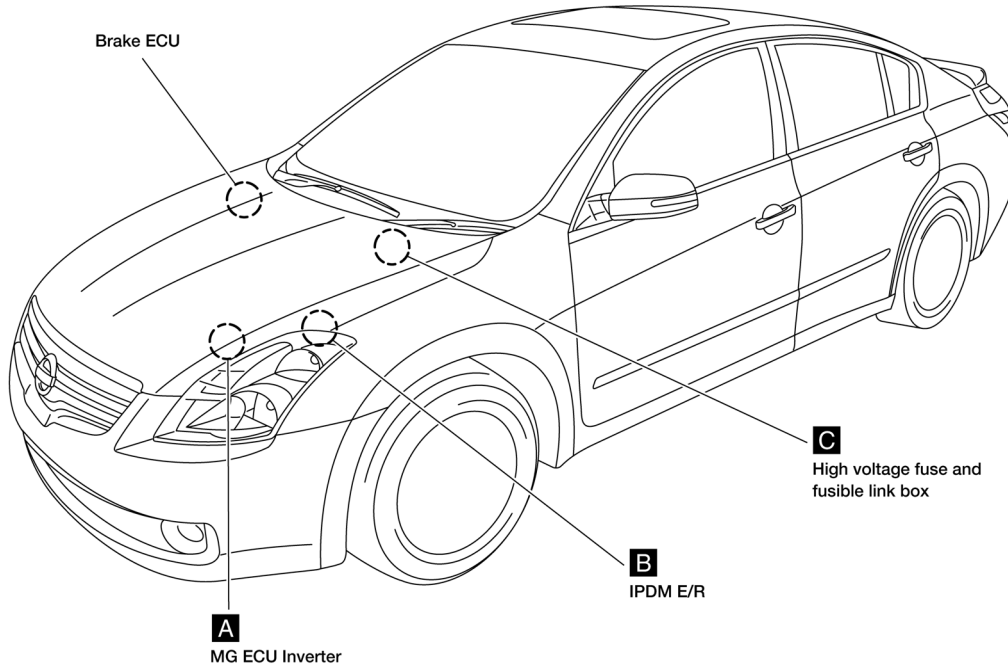
< COMPONENT DIAGNOSIS >

ELECTRICAL UNITS LOCATION

Electrical Units Location

INFOID:000000005439158

ENGINE COMPARTMENT



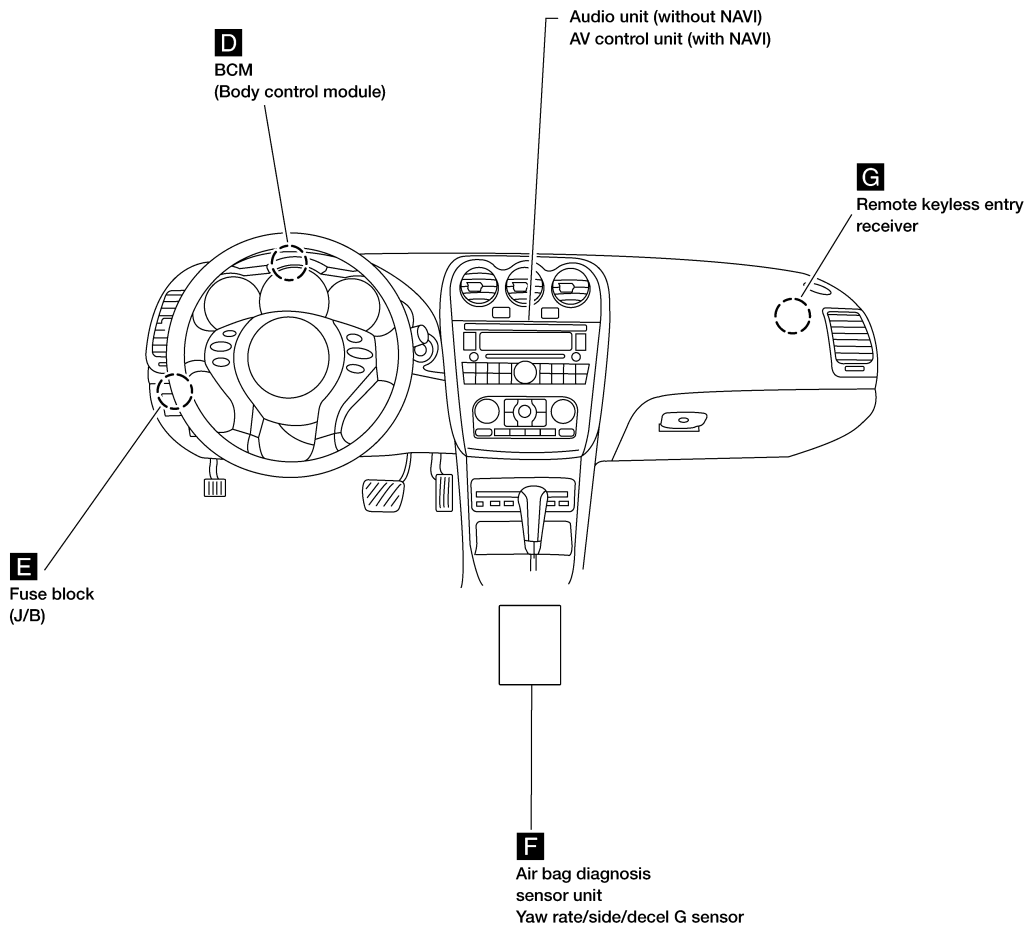
A
B
C
D
E
F
G
H
I
J
K
L
PG
N
O
P

ABMIA1878GB

ELECTRICAL UNITS LOCATION

< COMPONENT DIAGNOSIS >

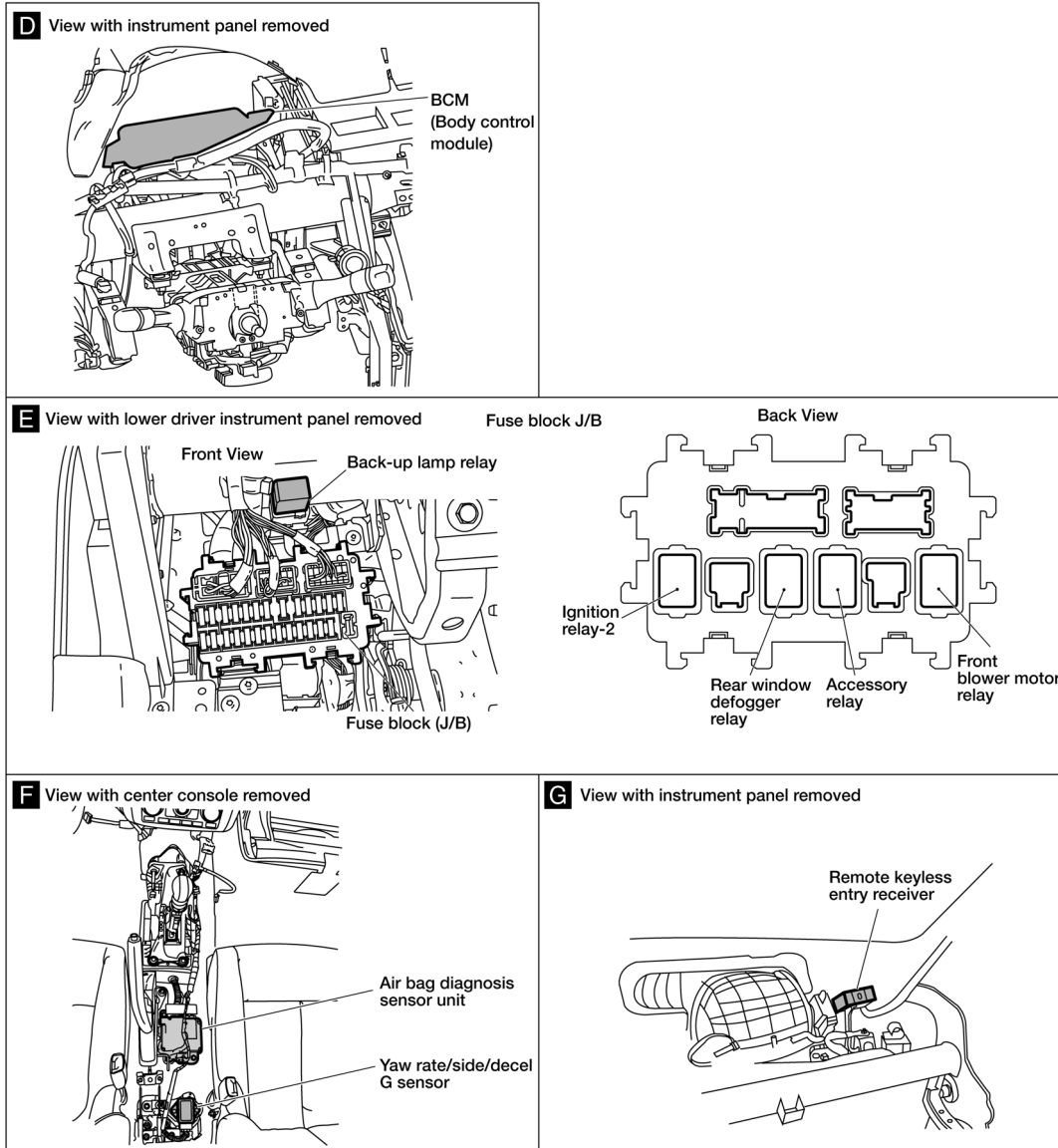
PASSENGER COMPARTMENT



ABMIA1879GB

ELECTRICAL UNITS LOCATION

< COMPONENT DIAGNOSIS >

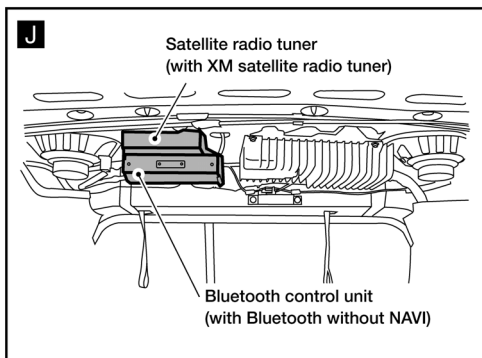
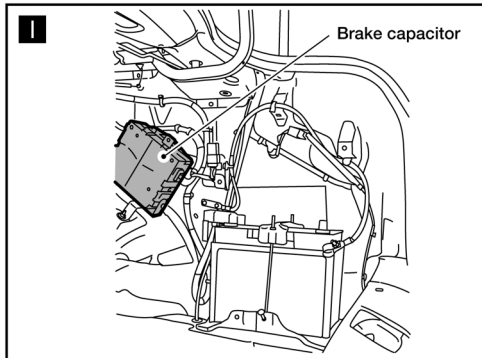
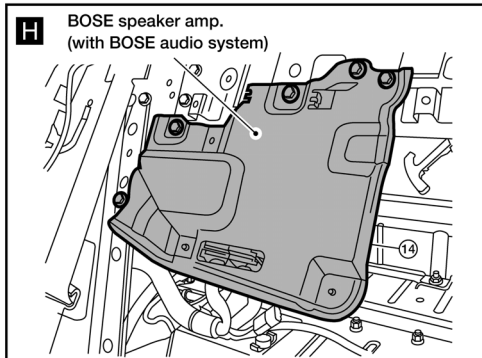
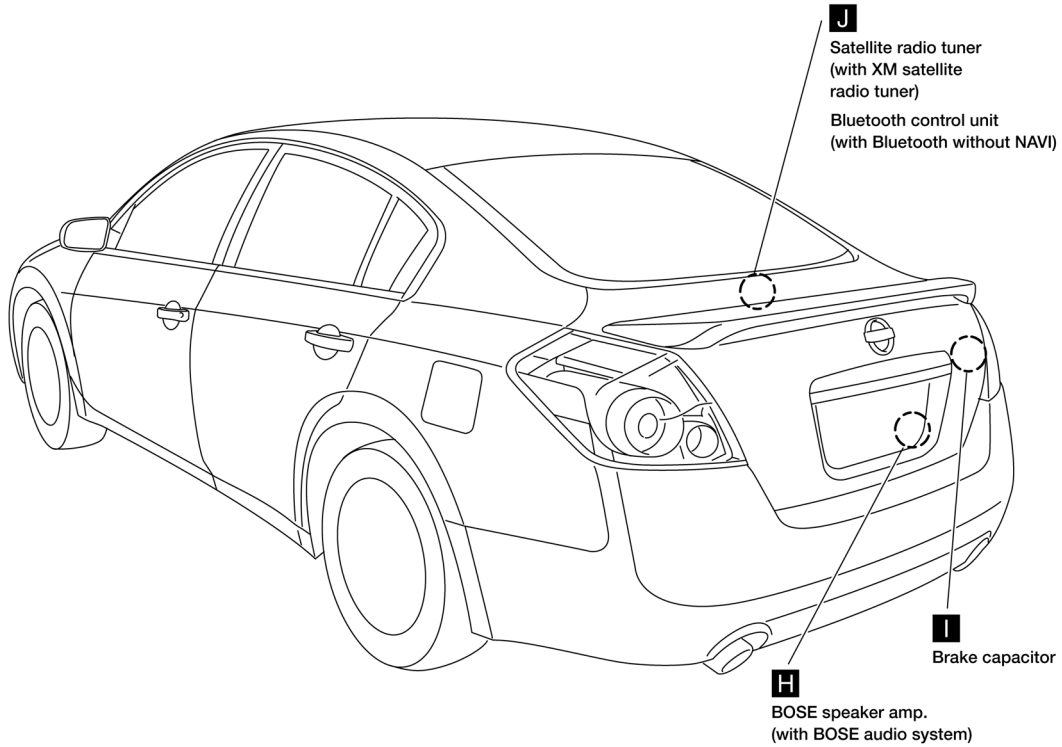


A
B
C
D
E
F
G
H
I
J
K
L
PG
N
O
P

ELECTRICAL UNITS LOCATION

< COMPONENT DIAGNOSIS >

LUGGAGE COMPARTMENT



ABMIA1081GB

HARNESS CONNECTOR

< COMPONENT DIAGNOSIS >

HARNESS CONNECTOR

Description

INFOID:000000005439159

HARNESS CONNECTOR (TAB-LOCKING TYPE)

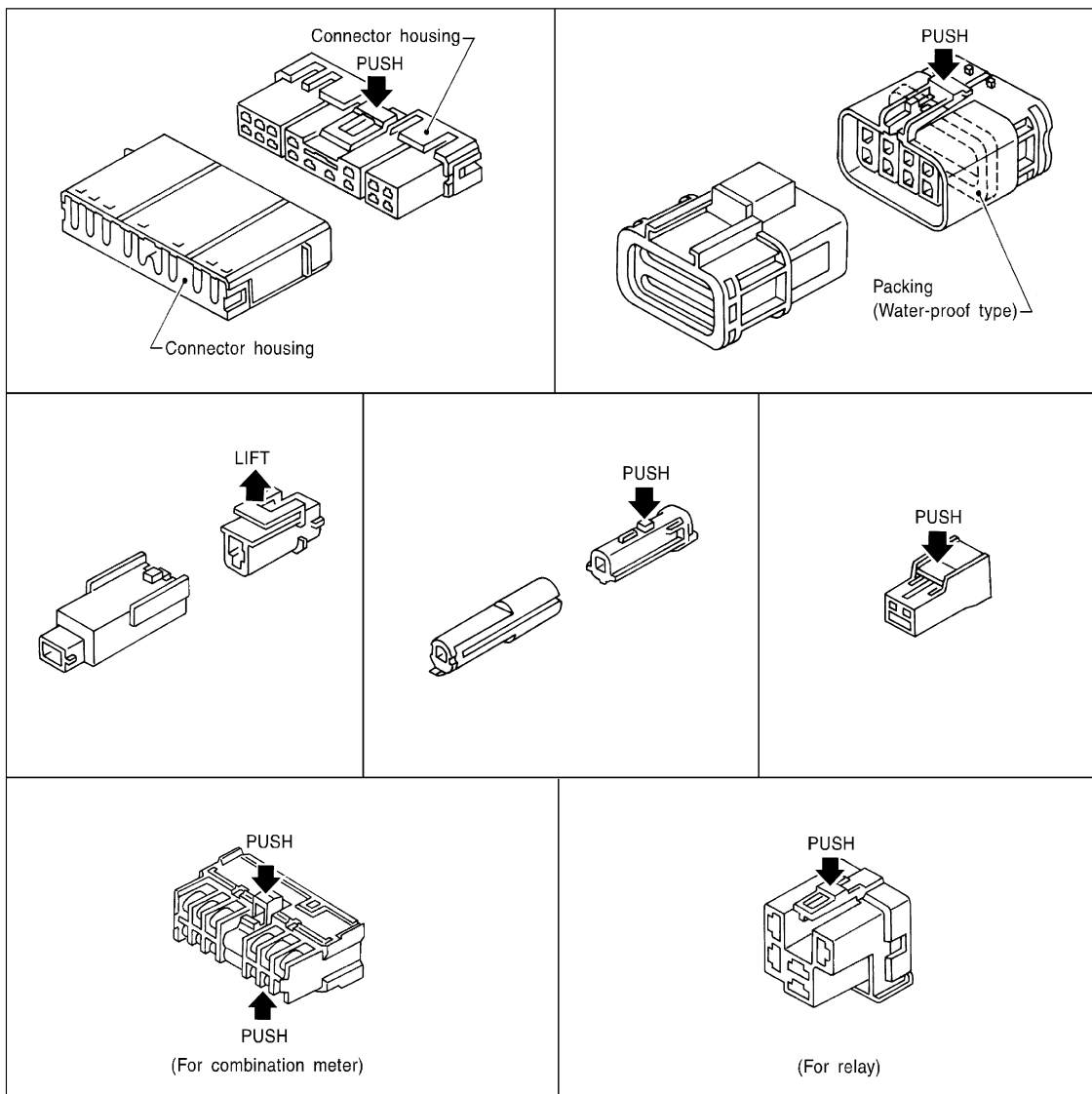
- The tab-locking type connectors help prevent accidental looseness or disconnection.
- The tab-locking type connectors are disconnected by pushing or lifting the locking tab(s). Refer to the figure below.

Refer to the next page for description of the slide-locking type connector.

CAUTION:

Do not pull the harness or wires when disconnecting the connector.

[Example]



SEL769DA

HARNESS CONNECTOR (SLIDE-LOCKING TYPE)

- A new style slide-locking type connector is used on certain systems and components, especially those related to OBD.
- The slide-locking type connectors help prevent incomplete locking and accidental looseness or disconnection.

A
B
C
D
E
F
G
H
I
J
K
L
PG
N
O
P

HARNESS CONNECTOR

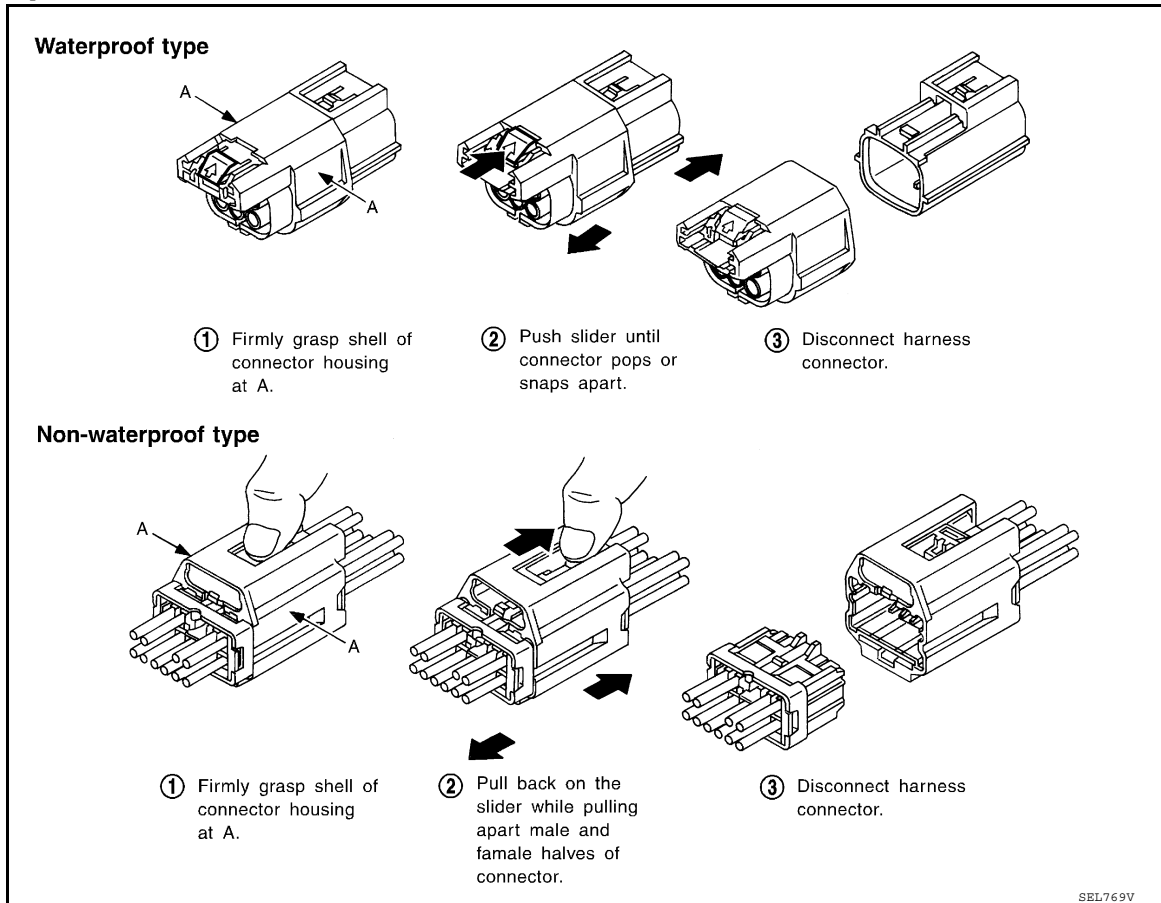
< COMPONENT DIAGNOSIS >

- The slide-locking type connectors are disconnected by pushing or pulling the slider. Refer to the figure below.

CAUTION:

- Do not pull the harness or wires when disconnecting the connector.
- Be careful not to damage the connector support bracket when disconnecting the connector.

[Example]



HARNESS CONNECTOR (LEVER LOCKING TYPE)

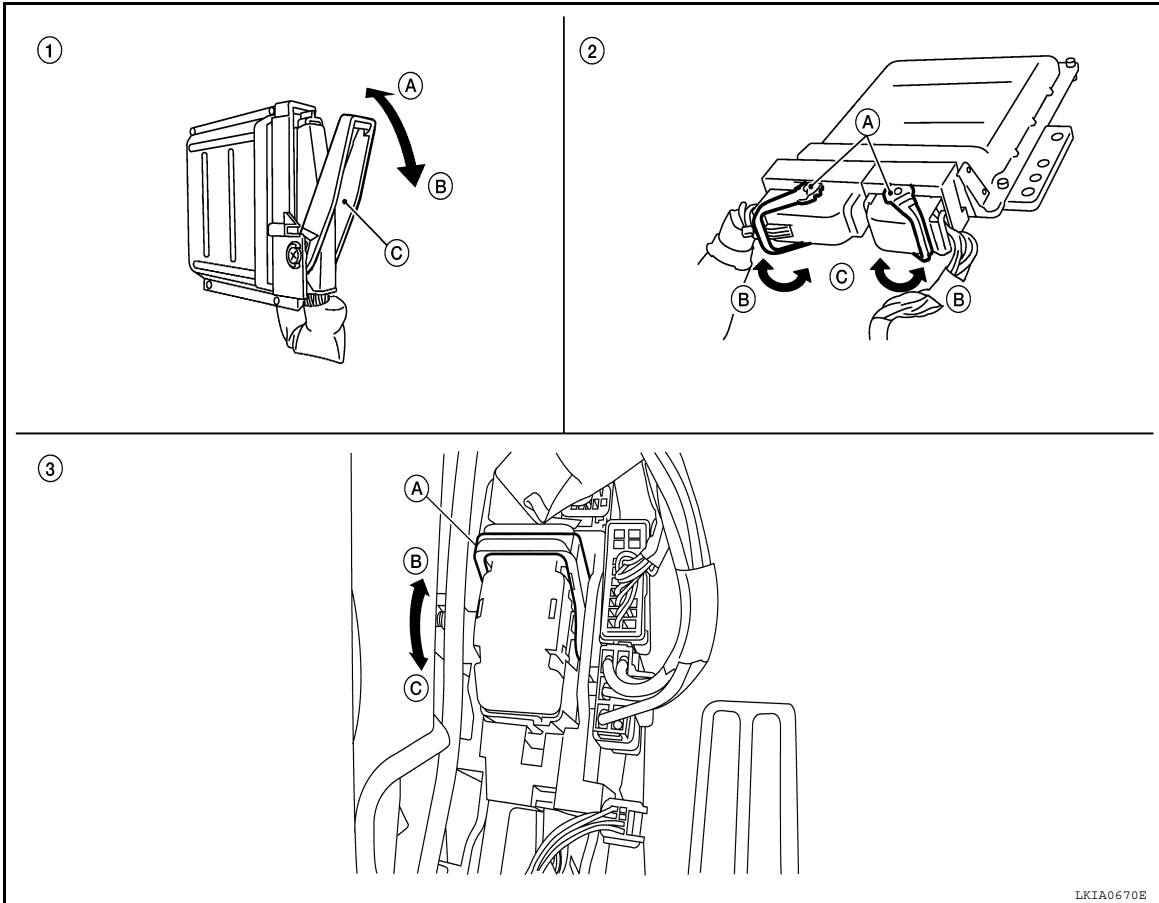
- Lever locking type harness connectors are used on certain control units and control modules such as ECM, ABS actuator and electric unit (control unit), etc.
- Lever locking type harness connectors are also used on super multiple junction (SMJ) connectors.
- Always confirm the lever is fully locked in place by moving the lever as far as it will go to ensure full connection.

CAUTION:

HARNES CONNECTOR

< COMPONENT DIAGNOSIS >

- Always confirm the lever is fully released (loosened) before attempting to disconnect or connect these connectors to avoid damage to the connector housing or terminals.



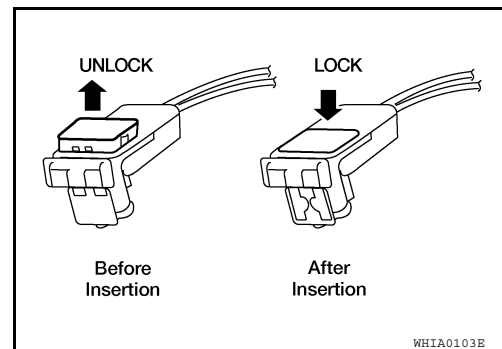
- | | | |
|-----------------------------------|---------------------------------|------------------|
| 1. Control unit with single lever | 2. Control unit with dual lever | 3. SMJ connector |
| A. Fasten | A. Fasten | A. Fasten |
| B. Loosen | B. Loosen | B. Loosen |
| C. Lever | C. Lever | C. Lever |

HARNES CONNECTOR (DIRECT-CONNECT SRS COMPONENT TYPE)

- SRS direct-connect type harness connectors are used on certain SRS components such as air bag modules and seat belt pre-tensioners.
- Always pull up to release black locking tab prior to removing connector from SRS components.
- Always push down to lock black locking tab after installing connector to SRS components. When locked, the black locking tab is level with the connector housing.

CAUTION:

- Do not pull the harness or wires when removing connectors from SRS components.



WHIA0103E

STANDARDIZED RELAY

< COMPONENT DIAGNOSIS >

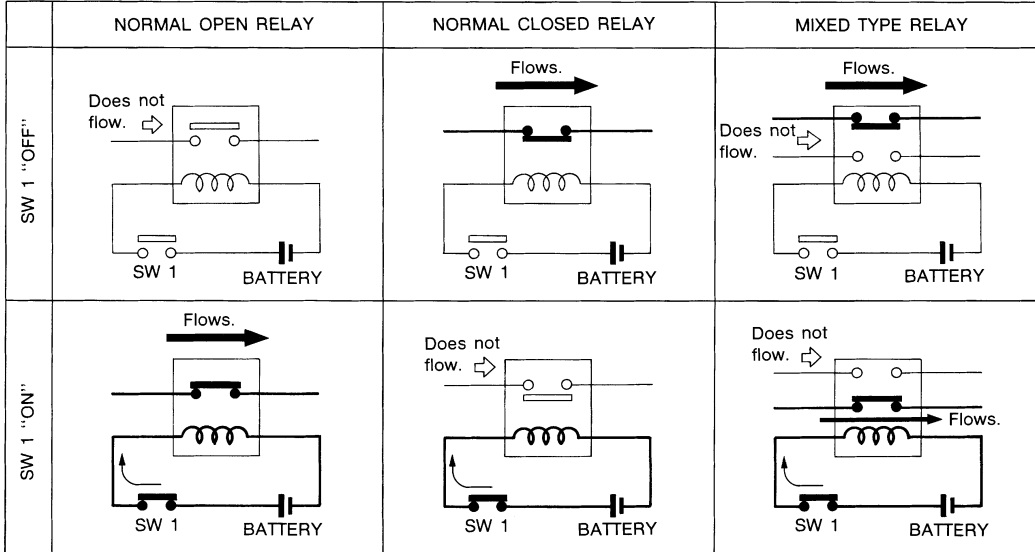
STANDARDIZED RELAY

Description

INFOID:000000005439160

NORMAL OPEN, NORMAL CLOSED AND MIXED TYPE RELAYS

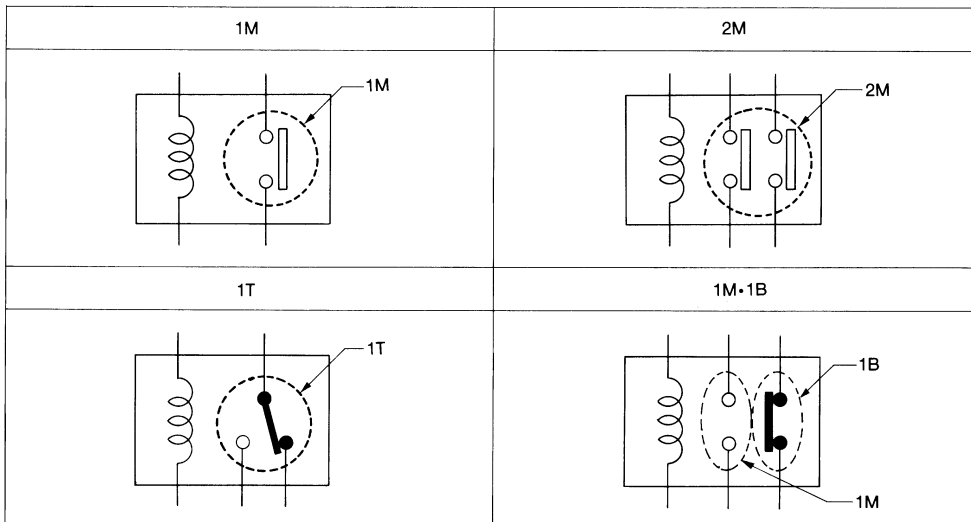
Relays can mainly be divided into three types: normal open, normal closed and mixed type relays.



SEL881H

TYPE OF STANDARDIZED RELAYS

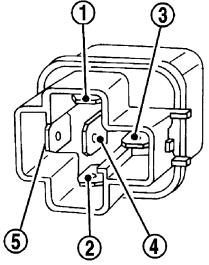
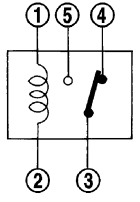
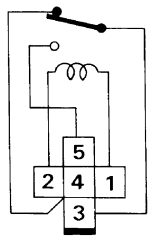
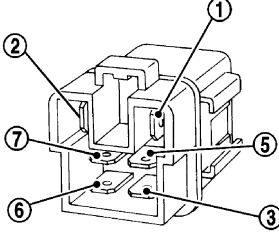
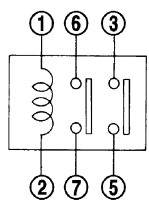
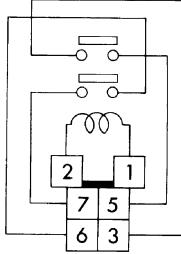
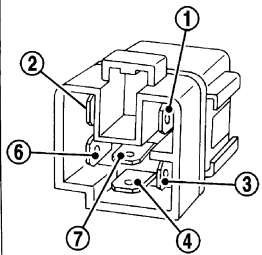
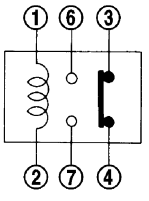
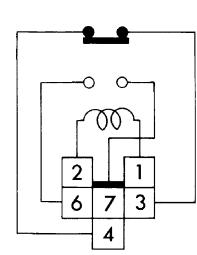
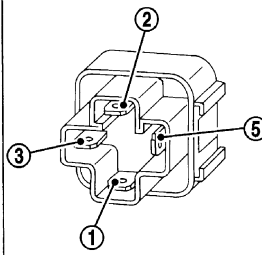
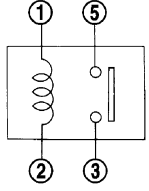
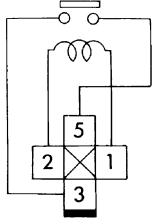
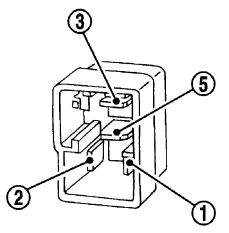
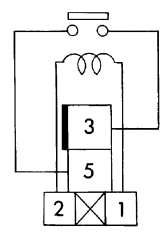
- 1M 1 Make
- 1T 1 Transfer
- 2M 2 Make
- 1M-1B 1 Make 1 Break



SEL882H

STANDARDIZED RELAY

< COMPONENT DIAGNOSIS >

Type	Outer view	Circuit	Connector symbol and connection	Case color
1T				BLACK
2M				BROWN
1M•1B				GRAY
1M				BLUE
				

The arrangement of terminal numbers on the actual relays may differ from those shown above.

SEL189W

A
B
C
D
E
F
G
H
I
J
K
L
PG
N
O
P

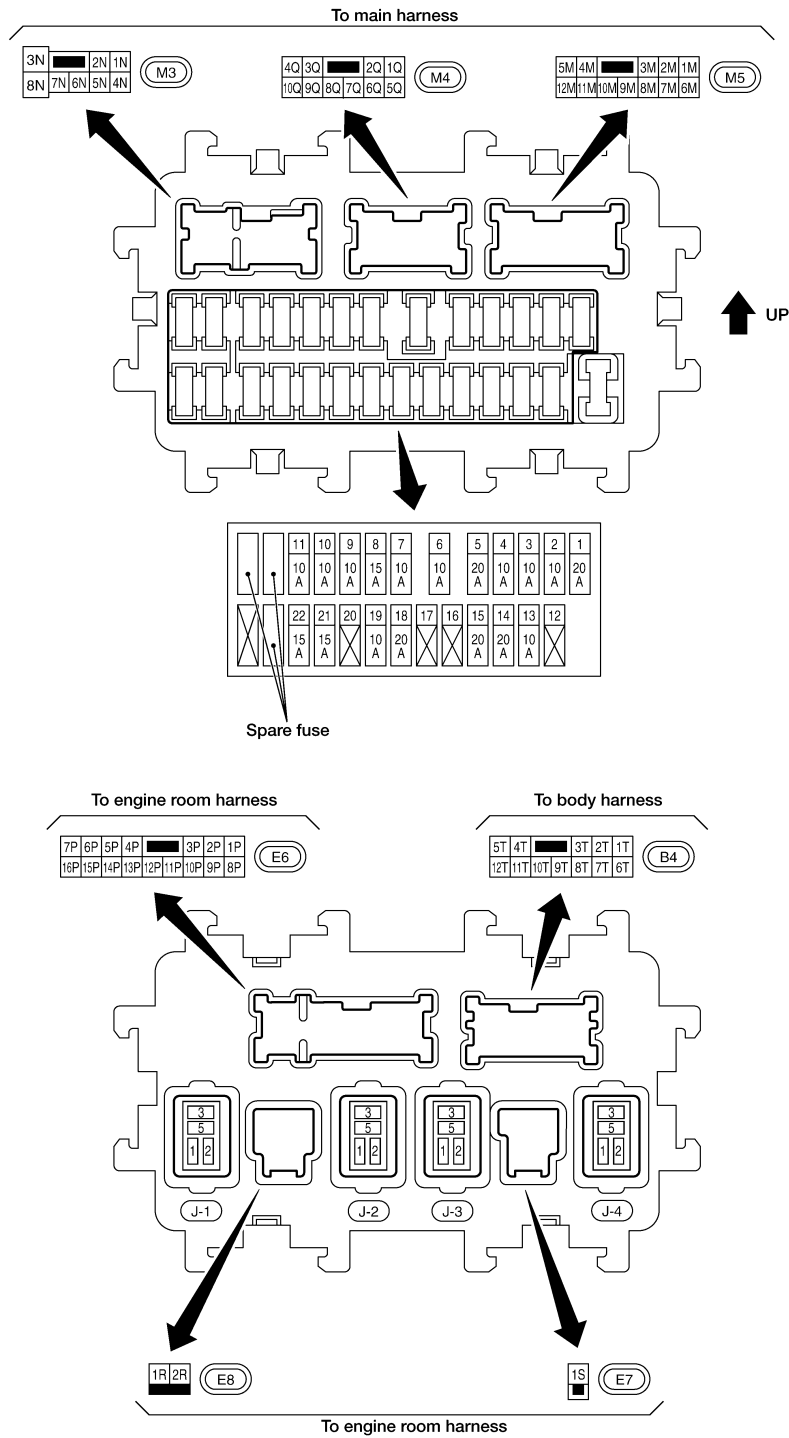
FUSE BLOCK - JUNCTION BOX (J/B)

< COMPONENT DIAGNOSIS >

FUSE BLOCK - JUNCTION BOX (J/B)

Terminal Arrangement

INFOID:000000005439161



ABMIA1882GB

FUSE, FUSIBLE LINK AND RELAY BOX

< COMPONENT DIAGNOSIS >

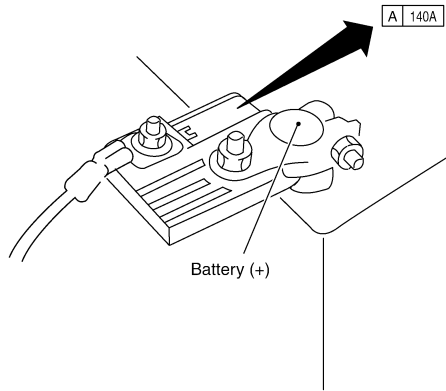
FUSE, FUSIBLE LINK AND RELAY BOX

Terminal Arrangement

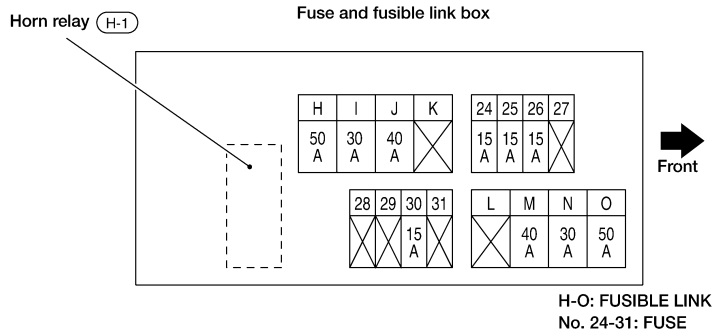
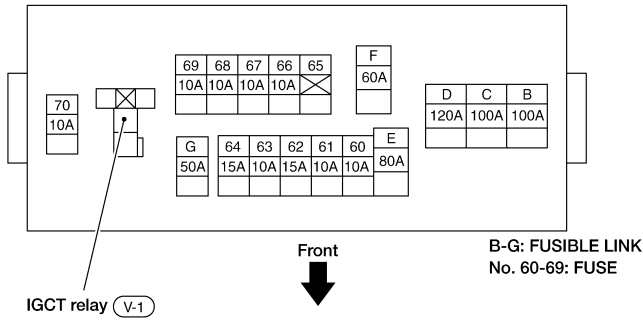
INFOID:000000005439162

A
B
C
D
E
F
G
H
I
J
K
L
PG
N
O
P

Fusible link box (Battery)



High voltage fuse and fusible link box



ABMIA1883GB

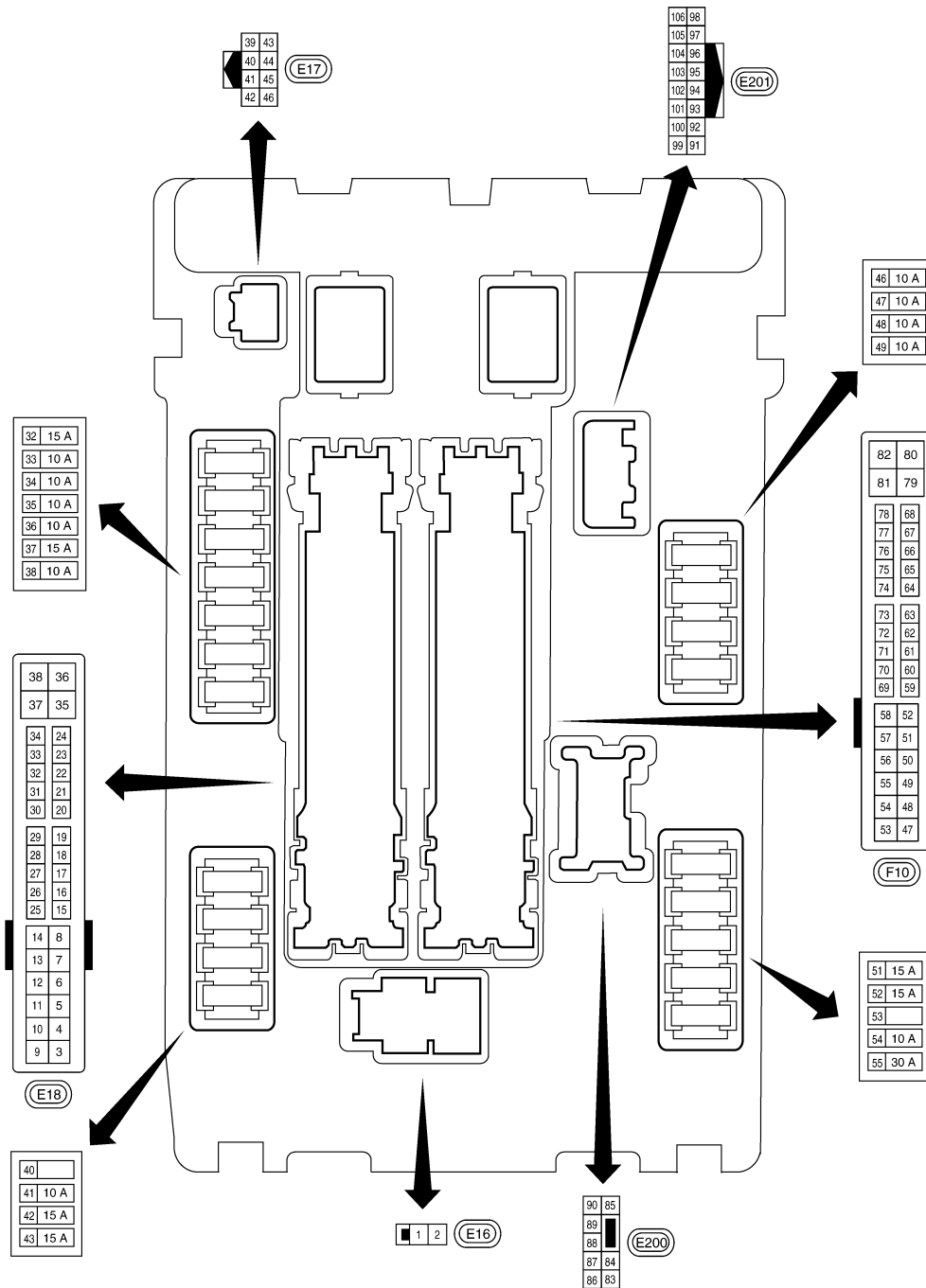
IPDM E/R (INTELLIGENT POWER DISTRIBUTION MODULE ENGINE ROOM)

< COMPONENT DIAGNOSIS >

IPDM E/R (INTELLIGENT POWER DISTRIBUTION MODULE ENGINE ROOM)

Fuse, Connector and Terminal Arrangement

INFOID:000000005439163



ABM1A1884GB

PRECAUTIONS

< PRECAUTION >

PRECAUTION

PRECAUTIONS

Precaution for Supplemental Restraint System (SRS) "AIR BAG" and "SEAT BELT PRE-TENSIONER"

INFOID:000000005806074

The Supplemental Restraint System such as "AIR BAG" and "SEAT BELT PRE-TENSIONER", used along with a front seat belt, helps to reduce the risk or severity of injury to the driver and front passenger for certain types of collision. This system includes seat belt switch inputs and dual stage front air bag modules. The SRS system uses the seat belt switches to determine the front air bag deployment, and may only deploy one front air bag, depending on the severity of a collision and whether the front occupants are belted or unbelted. Information necessary to service the system safely is included in the SR and SB section of this Service Manual.

WARNING:

- To avoid rendering the SRS inoperative, which could increase the risk of personal injury or death in the event of a collision which would result in air bag inflation, all maintenance must be performed by an authorized NISSAN/INFINITI dealer.
- Improper maintenance, including incorrect removal and installation of the SRS, can lead to personal injury caused by unintentional activation of the system. For removal of Spiral Cable and Air Bag Module, see the SR section.
- Do not use electrical test equipment on any circuit related to the SRS unless instructed to in this Service Manual. SRS wiring harnesses can be identified by yellow and/or orange harnesses or harness connectors.

PRECAUTIONS WHEN USING POWER TOOLS (AIR OR ELECTRIC) AND HAMMERS

WARNING:

- When working near the Airbag Diagnosis Sensor Unit or other Airbag System sensors with the Ignition ON or engine running, DO NOT use air or electric power tools or strike near the sensor(s) with a hammer. Heavy vibration could activate the sensor(s) and deploy the air bag(s), possibly causing serious injury.
- When using air or electric power tools or hammers, always switch the Ignition OFF, disconnect the battery, and wait at least 3 minutes before performing any service.

Precautions For High-Voltage System

INFOID:000000005439165

Refer to [GI-24, "Precautions For High-Voltage System"](#).

A
B
C
D
E
F
G
H
I
J
K
L
PG
N
O
P

PREPARATION

< PREPARATION >

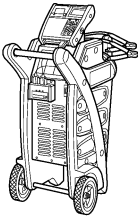
PREPARATION

PREPARATION

Special Service Tool

INFOID:000000005439167

Tool number (Kent Moore No.) Tool name	Description
— (—) Model GR-8 Multitasking Battery Diagnostic Station	Tests batteries, starting and charging systems. For operating instructions, refer to diagnostic station instruction manual.

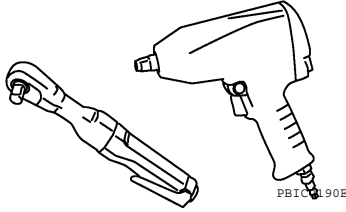


AW11A1239ZZ

Commercial Service Tool

INFOID:000000005439168

Tool name	Description
Power tool	Loosening bolts and nuts



PB1C190E

BATTERY

< ON-VEHICLE REPAIR >

ON-VEHICLE REPAIR

BATTERY

Removal and Installation

INFOID:000000005439169

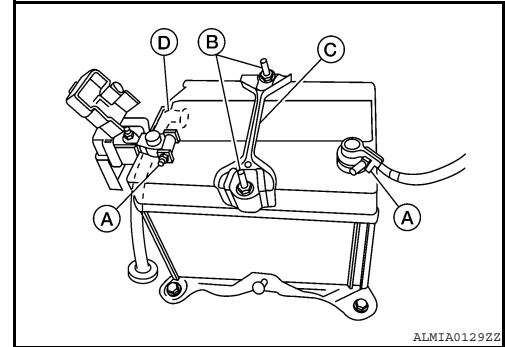
REMOVAL

1. Remove trunk side finisher (RH). Refer to [INT-29. "Exploded View"](#).
2. Loosen 12-volt battery terminal nuts (A), and disconnect both 12-volt battery terminals.

CAUTION:

When disconnecting, disconnect the 12-volt battery negative terminal first.

3. Remove the 12-volt battery ventilation tube (D).
4. Remove 12-volt battery frame nuts (B) and 12-volt battery frame (C).
5. Remove 12-volt battery.



INSTALLATION

Installation is in the reverse order of removal.

CAUTION:

When connecting, connect the 12-volt battery positive terminal first.

Battery frame nut : 3.92 N-m (0.4 kg-m, 35 in-lb)

Battery terminal nut : 5.4 N-m (0.55 kg-m, 48 in-lb)

Reset electronic systems as necessary. Refer to [PG-4. "ADDITIONAL SERVICE WHEN REMOVING BATTERY NEGATIVE TERMINAL : Special Repair Requirement"](#).

A
B
C
D
E
F
G
H
I
J
K
L

PG

N
O
P

BATTERY

< SERVICE DATA AND SPECIFICATIONS (SDS)

SERVICE DATA AND SPECIFICATIONS (SDS)

BATTERY

Battery

INFOID:000000005439170

Type*	S65D26R (JIS)
Capacity (20 HR) minimum Ah	57
CCA (cold cranking amperage) A (For reference value)	446

*: Always check with the Parts Department for the latest parts information